



RHINO-RACK

Aerodynamic & Heavy Duty Roof Rack Systems

Yakima Fit Kit

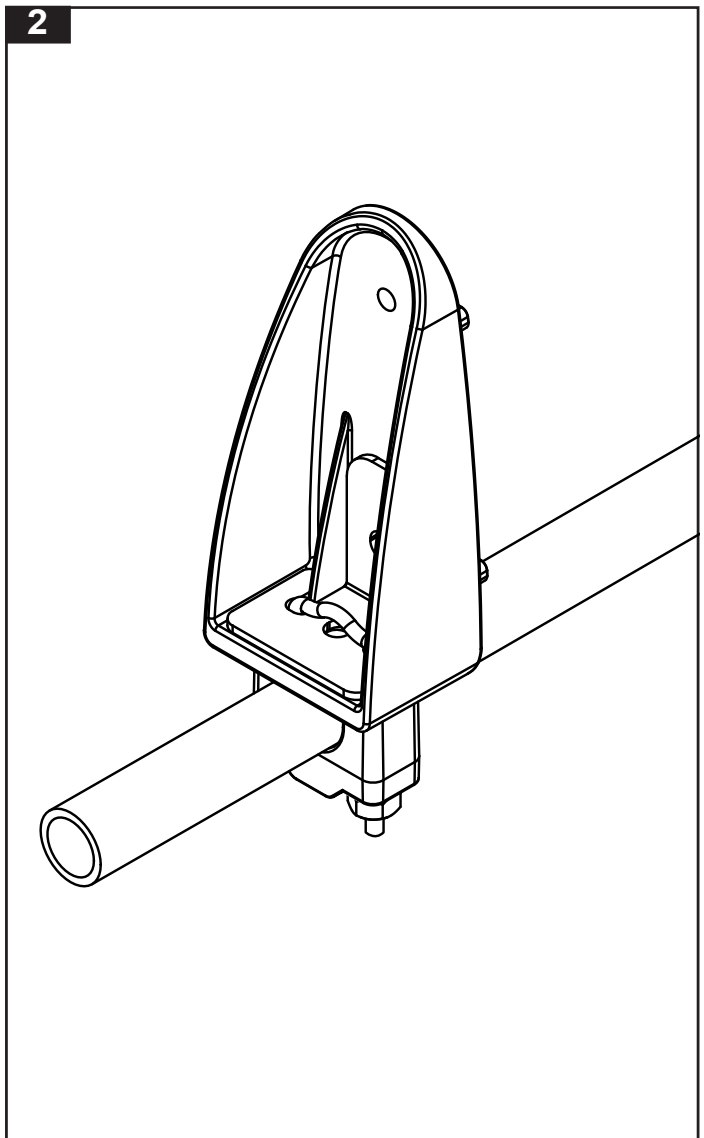
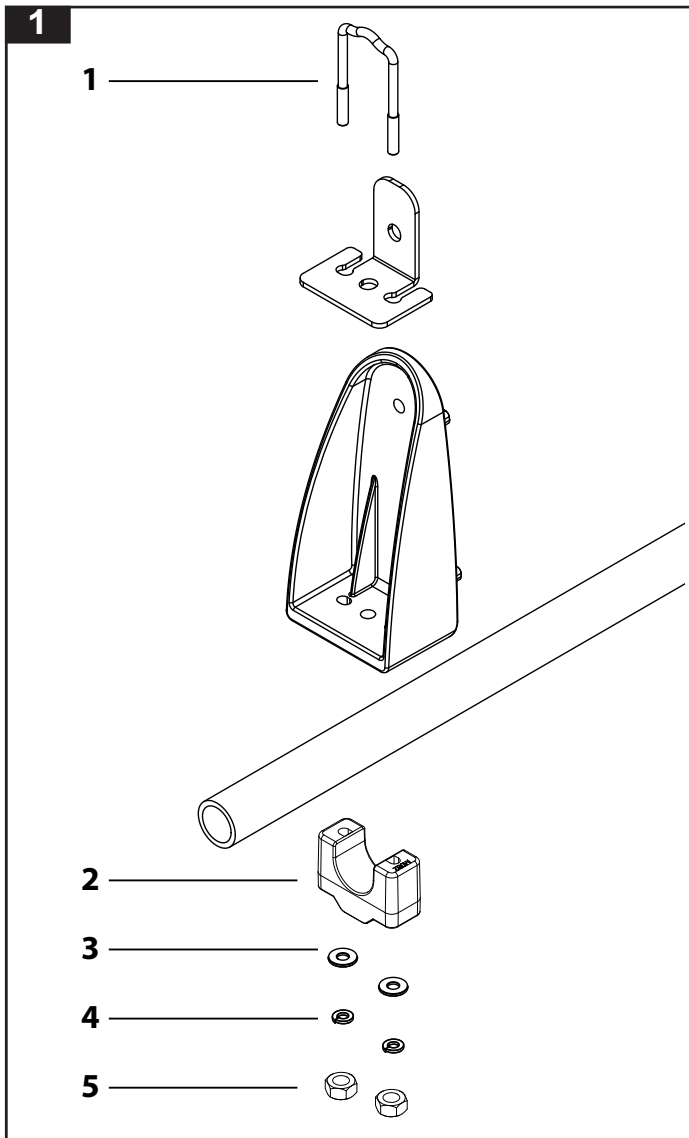
Place these instructions in the vehicle's glove box after installation is complete.

Important: Please read these instructions carefully prior to installation.
Check the contents of kit before commencing fitment and report any discrepancies

Parts List

Item	Component Name	Qty	Part No.
1	M6 U-bolt	2	C067
2	Yakima Adapter Block	2	M082
3	M6 x 16mm Flat S/S Washer	4	W031
4	M6 Spring S/S Washer	4	W004
5	M6 Stainless Steel Nut	4	N056
6	Fitting Instructions	1	RR205

This kit is to be used in conjunction with the fitting kit supplied with your Rhino Rack FOXWING Awning by OZTENT



Rhino-Rack
3 Pike Street, Rydalmere,
NSW 2116, Australia.
(Ph) (02) 9638 4744
(Fax) (02) 9638 4822

Document No: RR205
Prepared By: Andy Wana
Authorised By: Gary England

Issue No: 01
Issue Date: 08/01/2009