



# FITTING INSTRUCTIONS

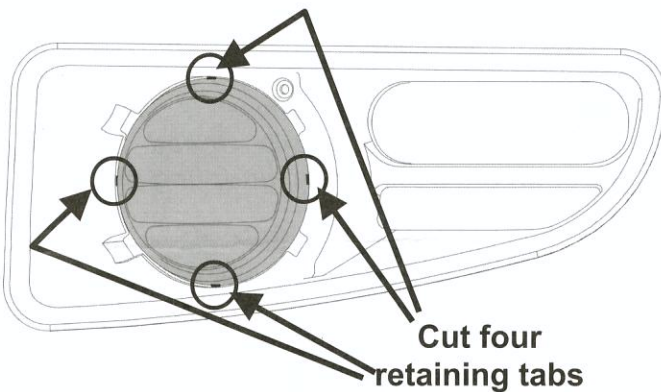
Part Number: **6821201**

Product Description: **ARB Fog light kit to suit ARB fog light housing kit 3163014**

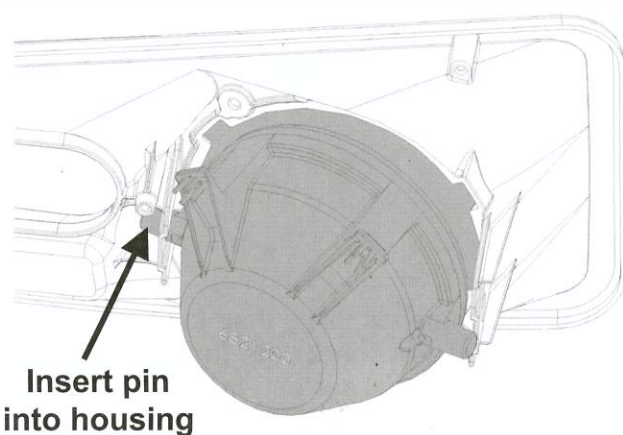
PARTS LISTING			
ITEM NUMBER	PART NO.	QTY	DESCRIPTION
1	6821200	2	Fog Light
2	6172322	1	Fitting kit (contains items 3&4)
3		2	Adjusting screws
4		2	Adjusting Spring

**IMPORTANT:** These instructions must be read in conjunction with the bull bar instructions. The sequence of fitting the light and surround to the bull bar are specified in the bull bar instructions.

## FITTING PROCEDURE



1. Remove the blanking plate from the fog light housing by cutting through the four retaining tabs with a sharp knife or hacksaw blade.
2. File or sand any excess plastic protruding past the circular edge of the fog light housing.



3. Position the fog light behind the insert with the tabs at the top.
4. Insert one of the fog light pins into the mounting hole in the fog light housing as shown.

### ARB Corporate Head Office

42-44 Garden St  
Kilsyth, Victoria  
AUSTRALIA 3137

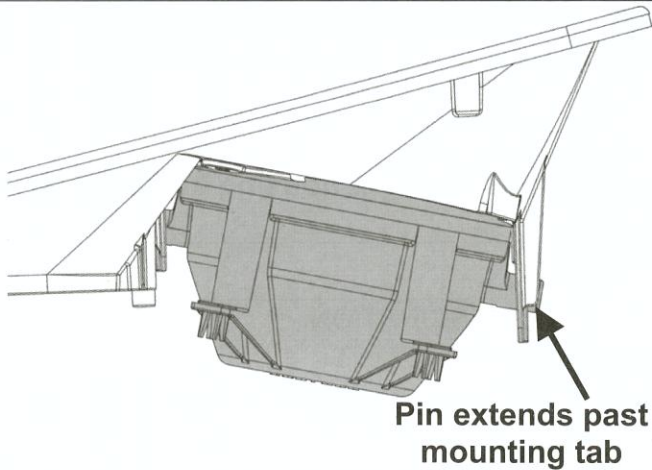
Tel: +61 (3) 9761 6622  
Fax: +61 (3) 9761 6807

Australian enquiries  
North & South American enquiries  
Other international enquiries

sales@arb.com.au  
sales@arbusa.com  
exports@arb.com.au

[www.arb.com.au](http://www.arb.com.au)

## FITTING PROCEDURE

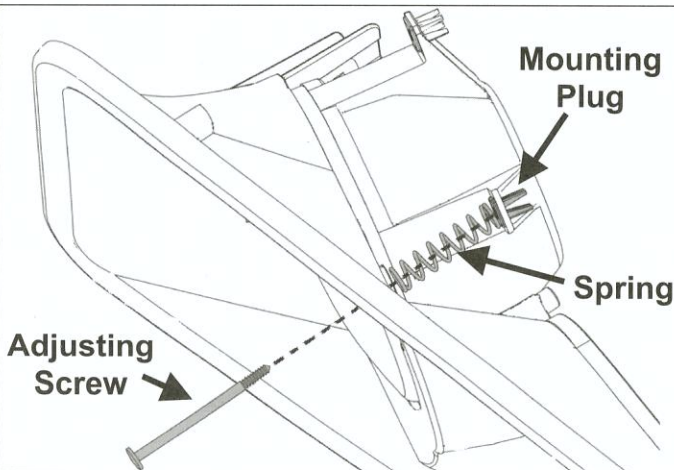


5. Fit the second fog light pin into the remaining mounting hole in the fog light housing.

To do this, push the fog light towards the front of the fog light housing until the pin is located in the mounting hole.

Ensure that the fog light pin extends at least 3mm past the end of the mounting tab.

**Note:** *The mounting tab of the fog light housing will flex slightly as the pin slides towards the mounting hole.*

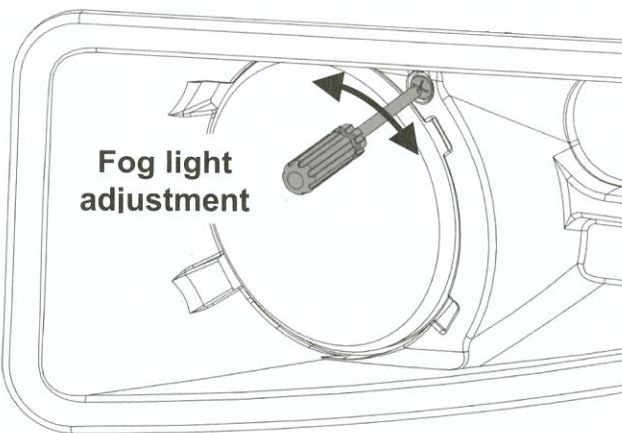


6. Feed an adjusting screw through the hole in the front of the fog light housing.

7. Place a spring over the adjusting screw between the back edge of the light insert and the front edge of the fog light.

8. Thread the adjusting screw into the mounting plug in the fog light.

**NOTE:** *Ensure that there is always a minimum 5 mm of screw thread exposed through the back of the mounting plug.*



9. To focus the fog light beam downward, turn the adjusting screw in a clockwise direction.

10. To adjust the fog light beam upward, turn the screw in an anticlockwise direction.

**NOTE:** *Take care when adjusting the fog light that the adjusting screw does not become detached from the mounting plug.*

Table 1. Fog light polarity

Cable Colour	Polarity
White	Positive (+)
Black	Negative (-)

11. ARB recommends using their fog light wiring loom MD02 to connect the fog lights to the vehicle's electrical system. In this case, refer to the instructions included with this loom for wiring instructions.

12. If using the original vehicle fog light loom, the fog lights must be correctly wired. The polarity of the ARB fog light is given in the table 1.