

ASFIRTM

Land Rover 4x4

Discovery 3&4

Range Rover Sport



Range Rover Sport



Discovery 4



Discovery 3

Discovery 3&4 Range Rover Sport

Professional Quality Products

Asfir's variety of products is the perfect solution for accessorizing the off-road vehicle.

Side Protectors

Protect the lower side of the vehicle and aid recovery with a jack. The side protectors are made of quality metal combined with aluminum side steps.

Skid Plates

Quality skid plates for off road vehicles have one of the highest design, performance and finish standards in the world. Asfir offers various skid plates protecting the underbody parts of the vehicle such as front, transfer and fuel tank. The skid plates are made of quality aluminum or metal and are screwed to original holes in the vehicle. Service openings in the skid plates enable servicing the vehicle without dismantling the plates.

Rear Towing Device

A quality towing device mounted to the vehicle's chassis under the original bumper.



B1 P/N 539055
Front Skid Plate 05-11



B2 P/N 539061
Transmission (Gear) Skid Plate 05-11



B3 P/N 539057
Rear Differential Skid Plate LWB 06-11



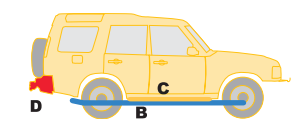
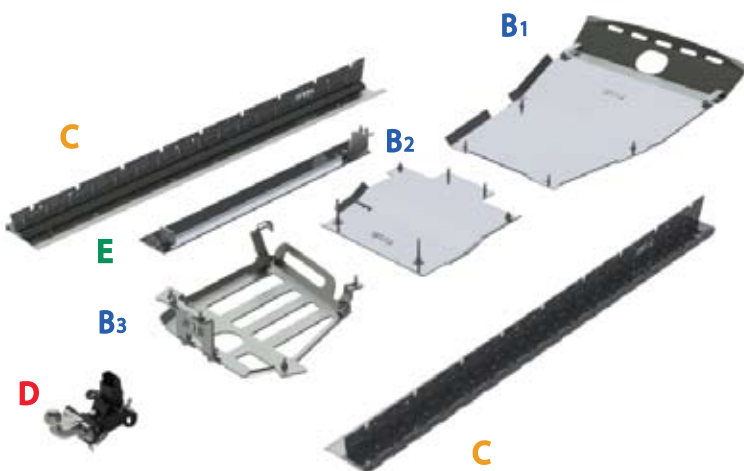
C P/N 539053
Side Protectors incl. Side Steps 06-11



D P/N 539038
Detachable Tow Bar LWB 06-11



E P/N 539080
Air Tank Skid Plate 05-11



ASFIR
4x4

1.2011

QUALITY 4x4 ACCESSORIES

ASFIR LTD
Tel Adashim 19315, Israel
Telephone: +972-1599-599-499*
+972-4-6511400
Fax: +972-4-6527742
E mail: info@asfir.com
www.asfir.com
*(Israel only)



Distributed by :

