

# Mountain Top® Alubar

Installation manual



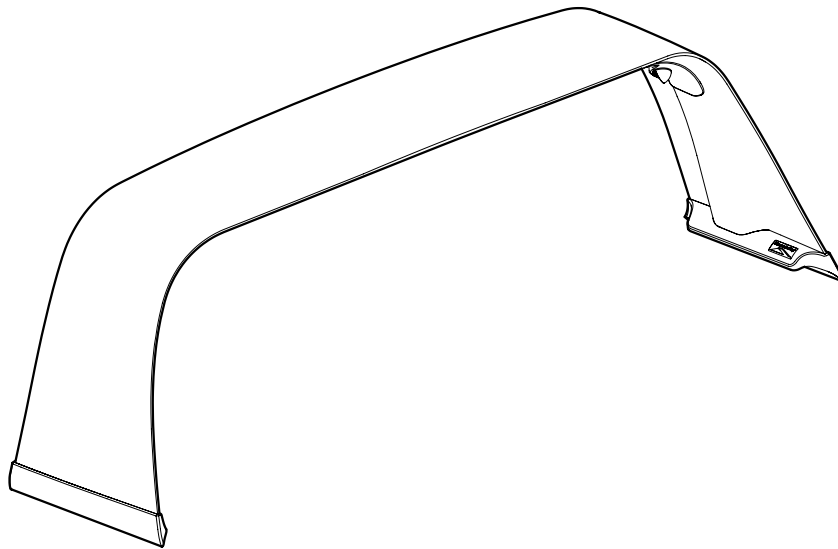
DOWNLOAD PDF





Parts

**A**

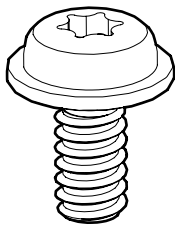


x 1



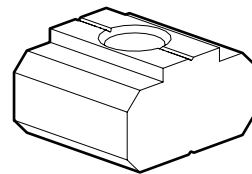
Kit

**B**



x 6

**C**

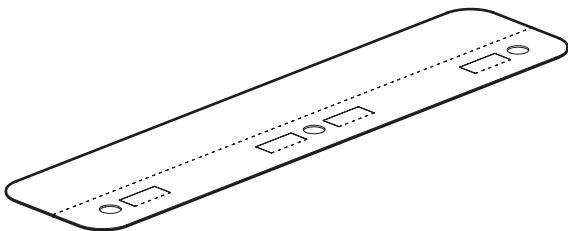


x 6



Kit

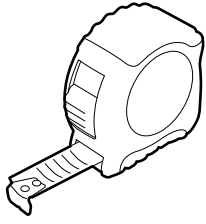
**D**



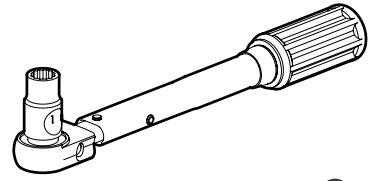
x 2



Tools and materials needed

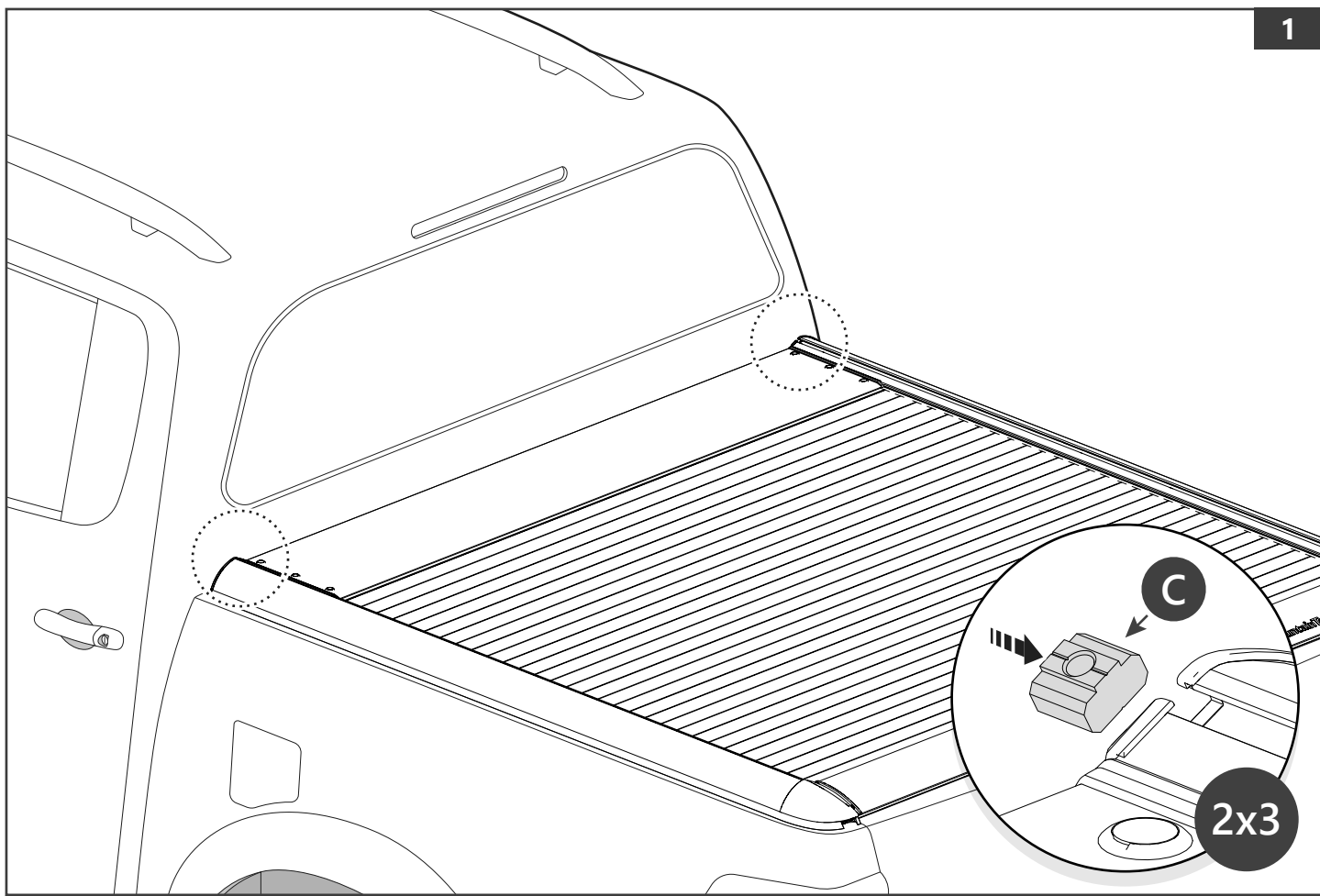


1 - 25 Nm

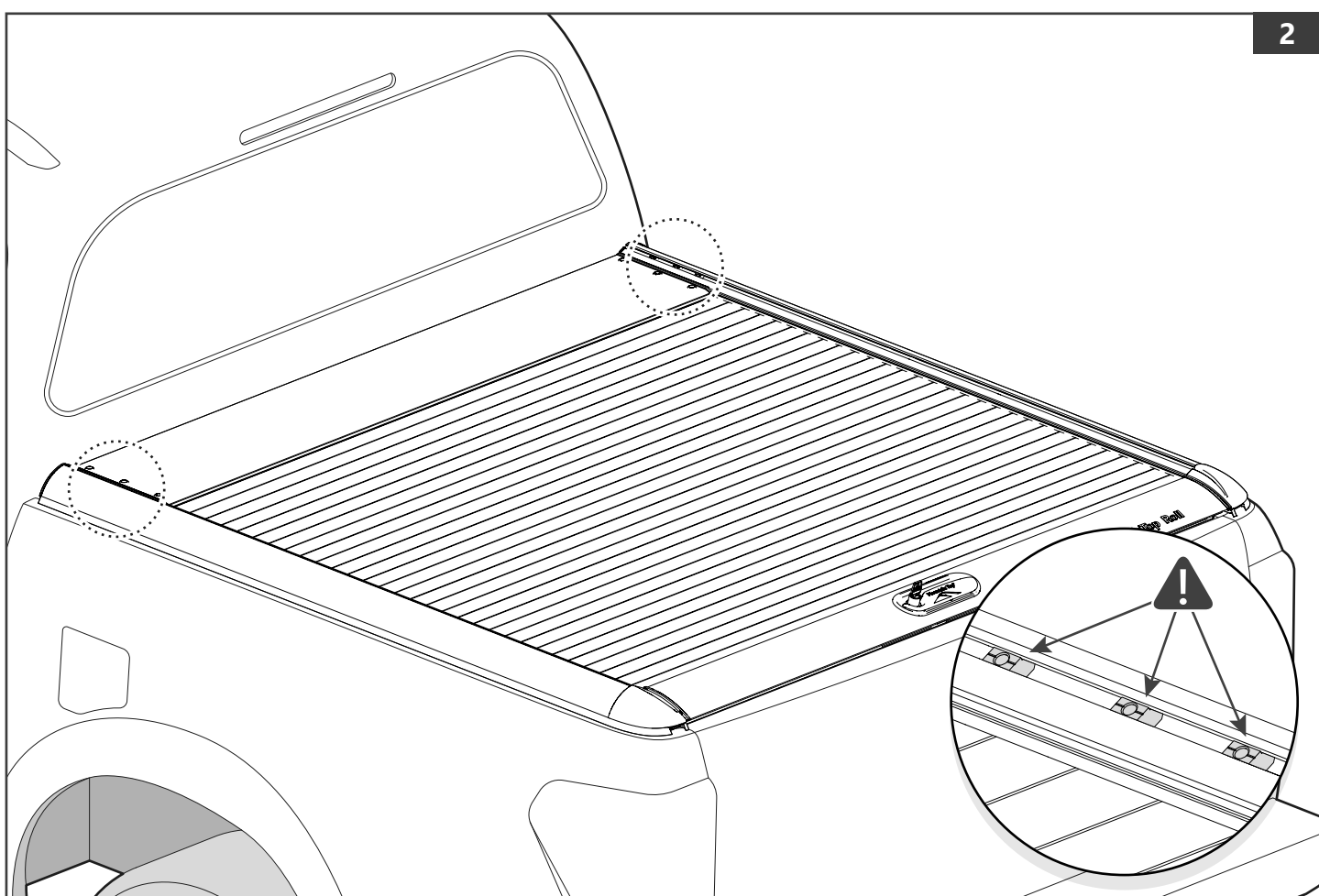


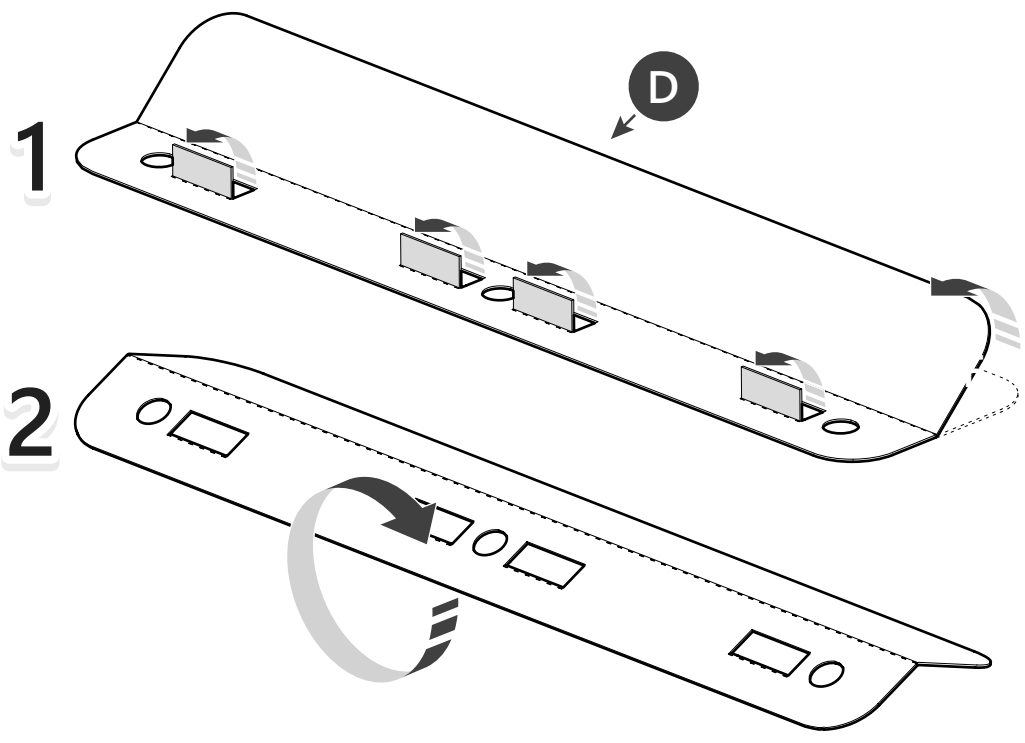
 T30

1

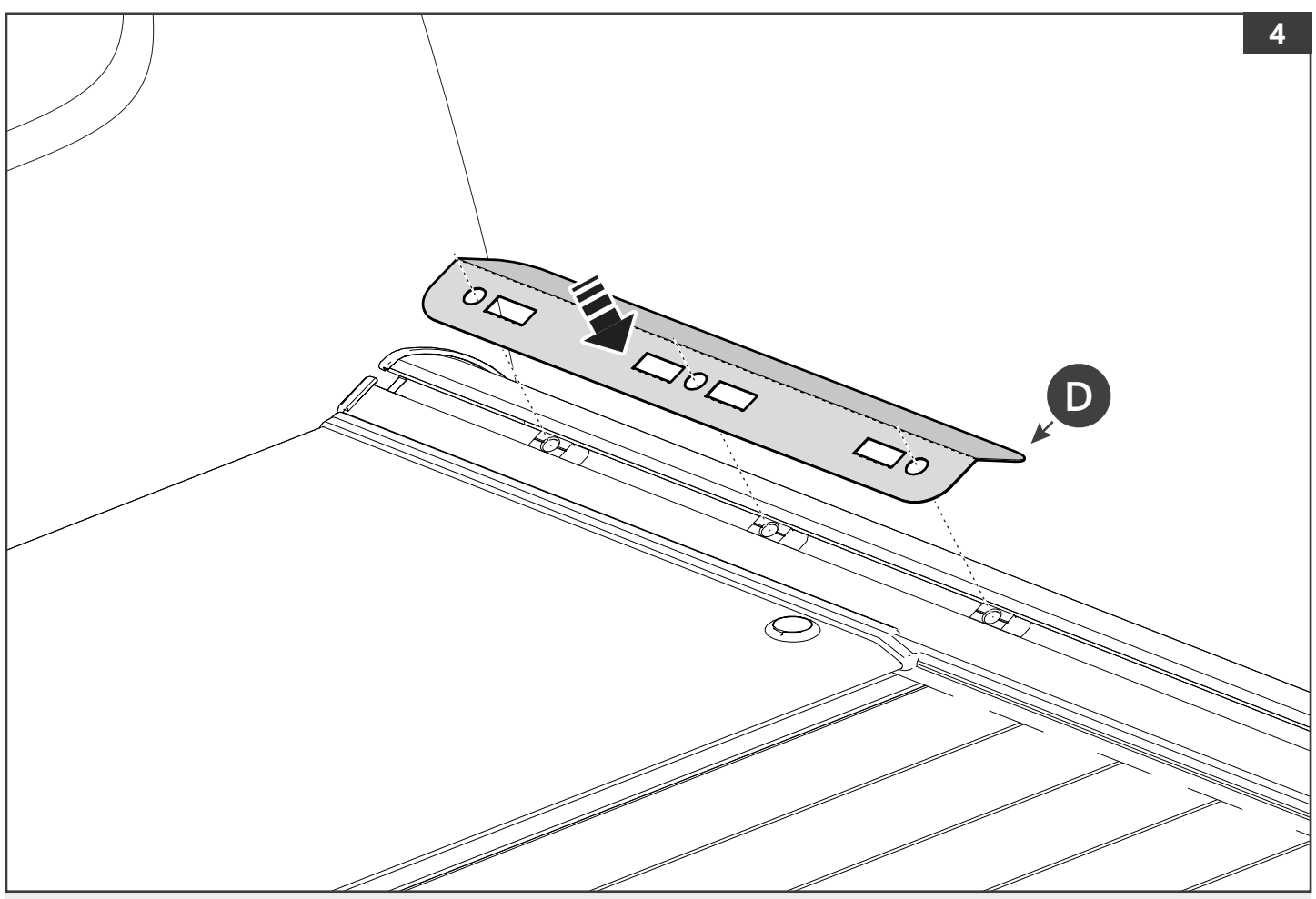


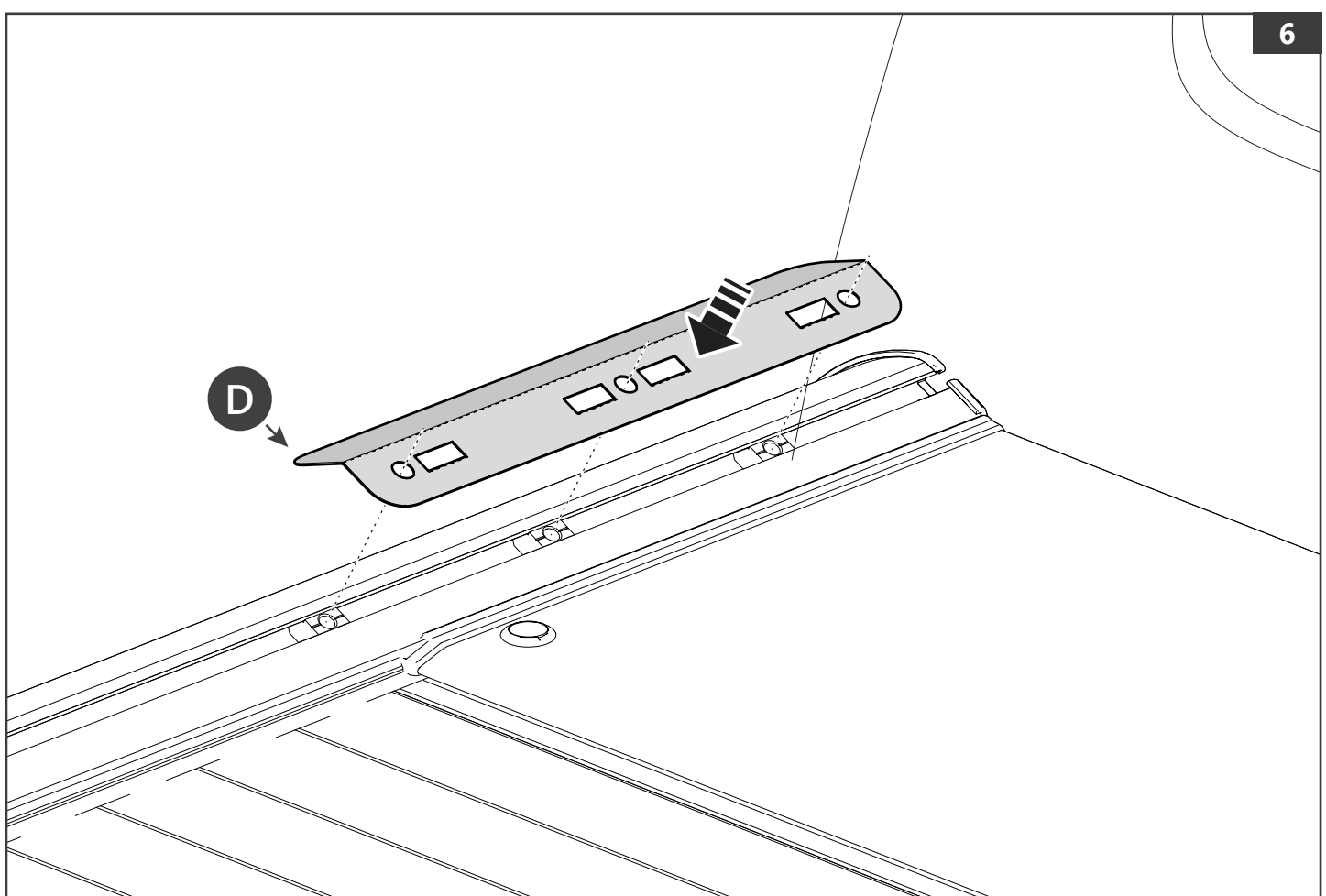
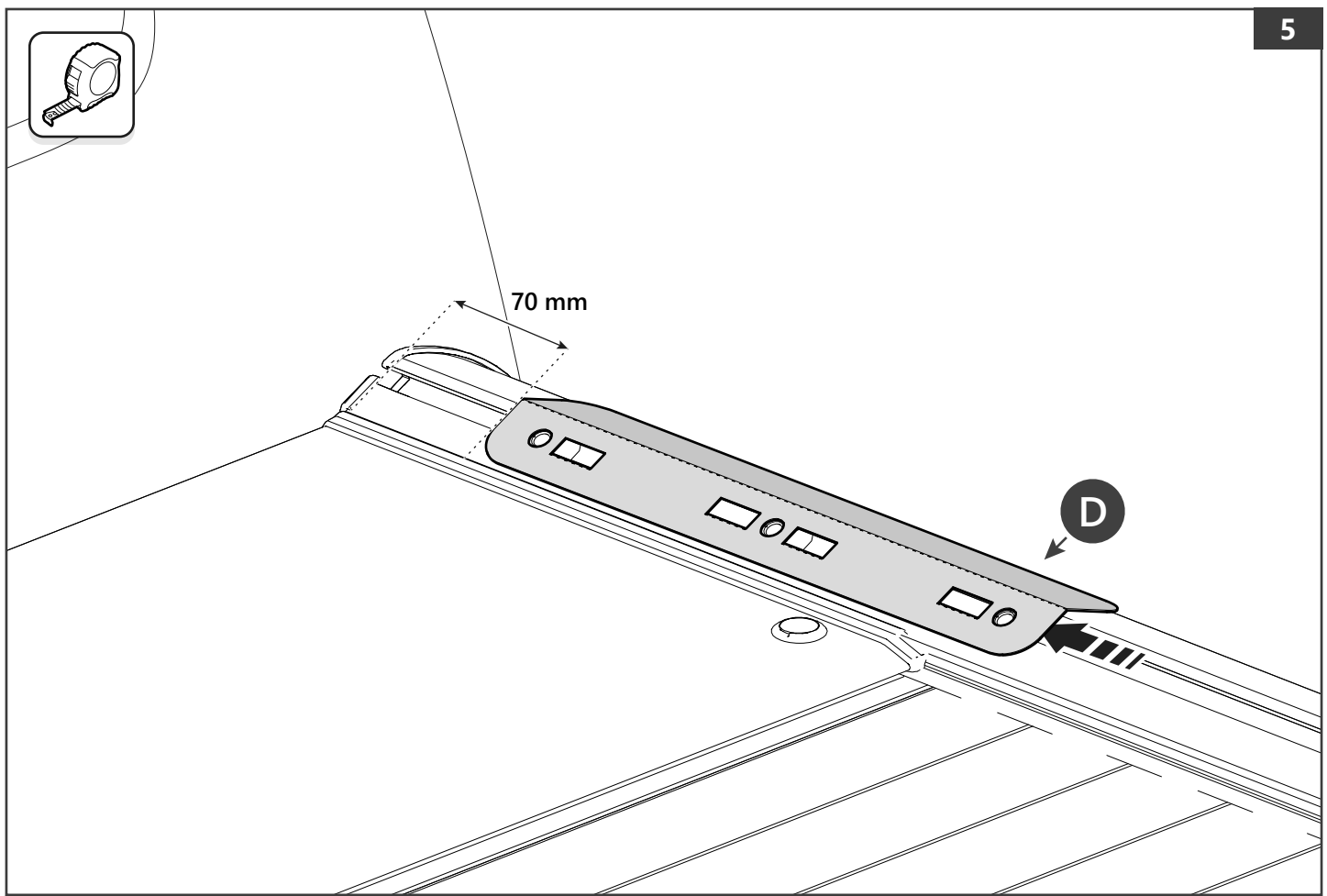
2

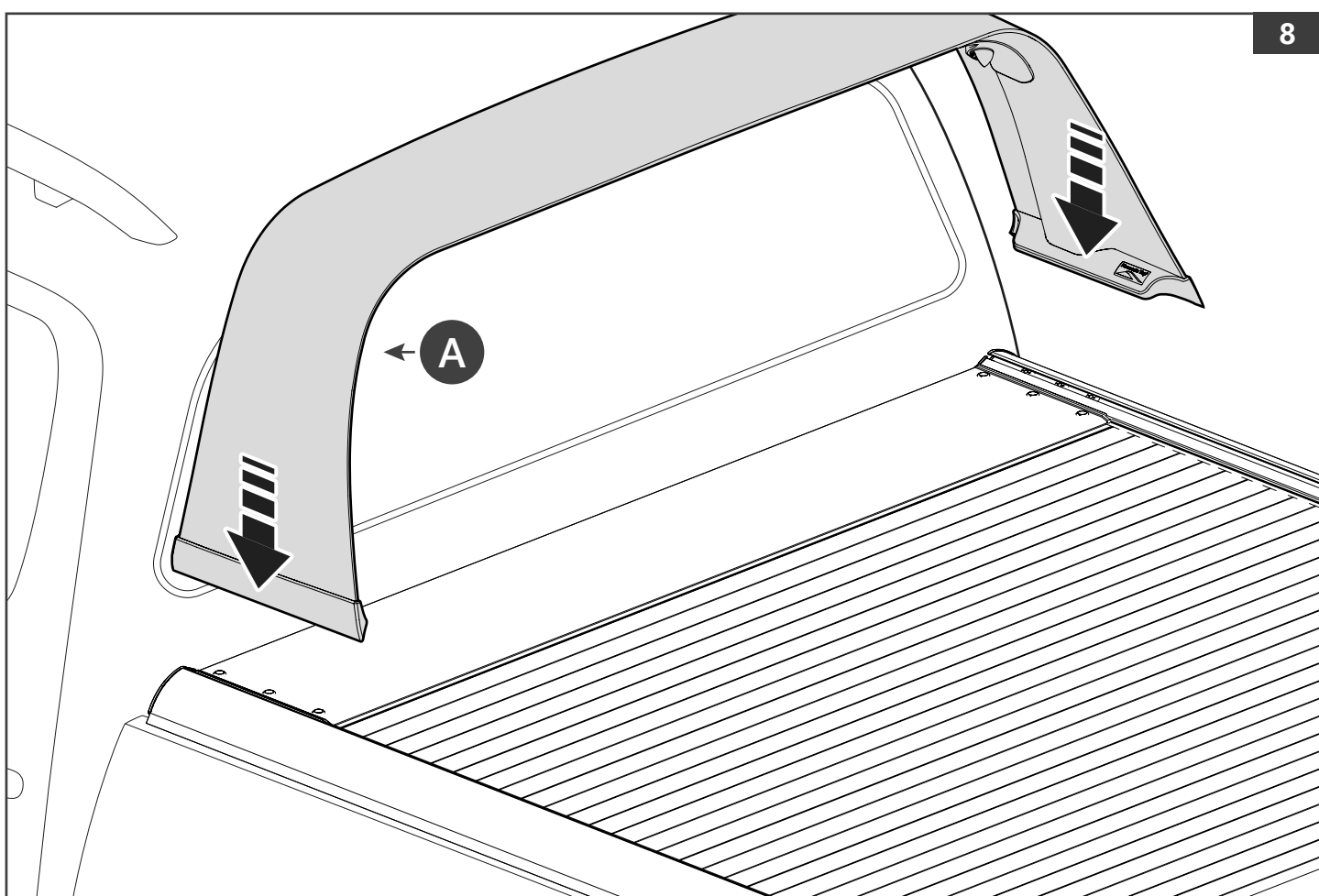
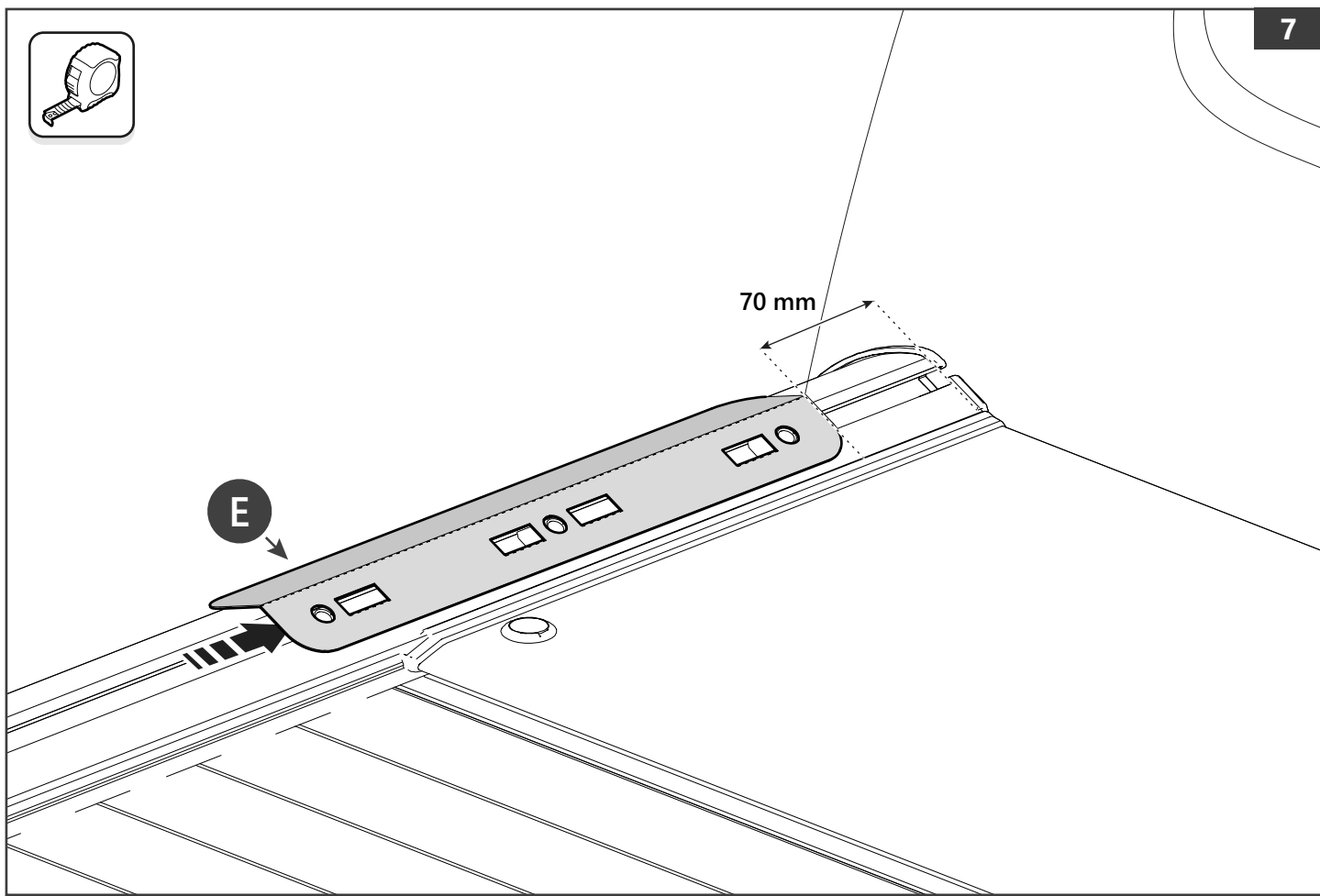




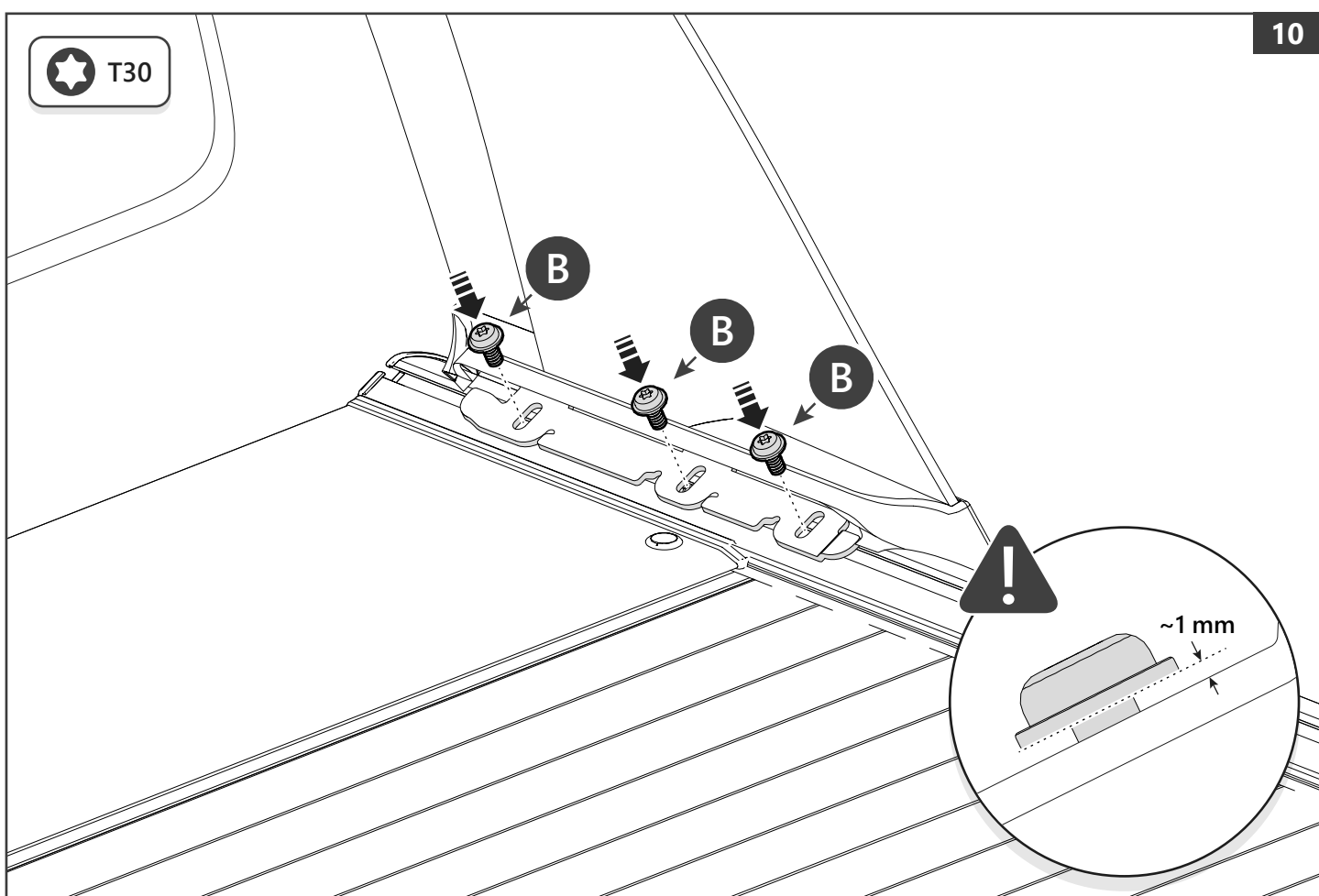
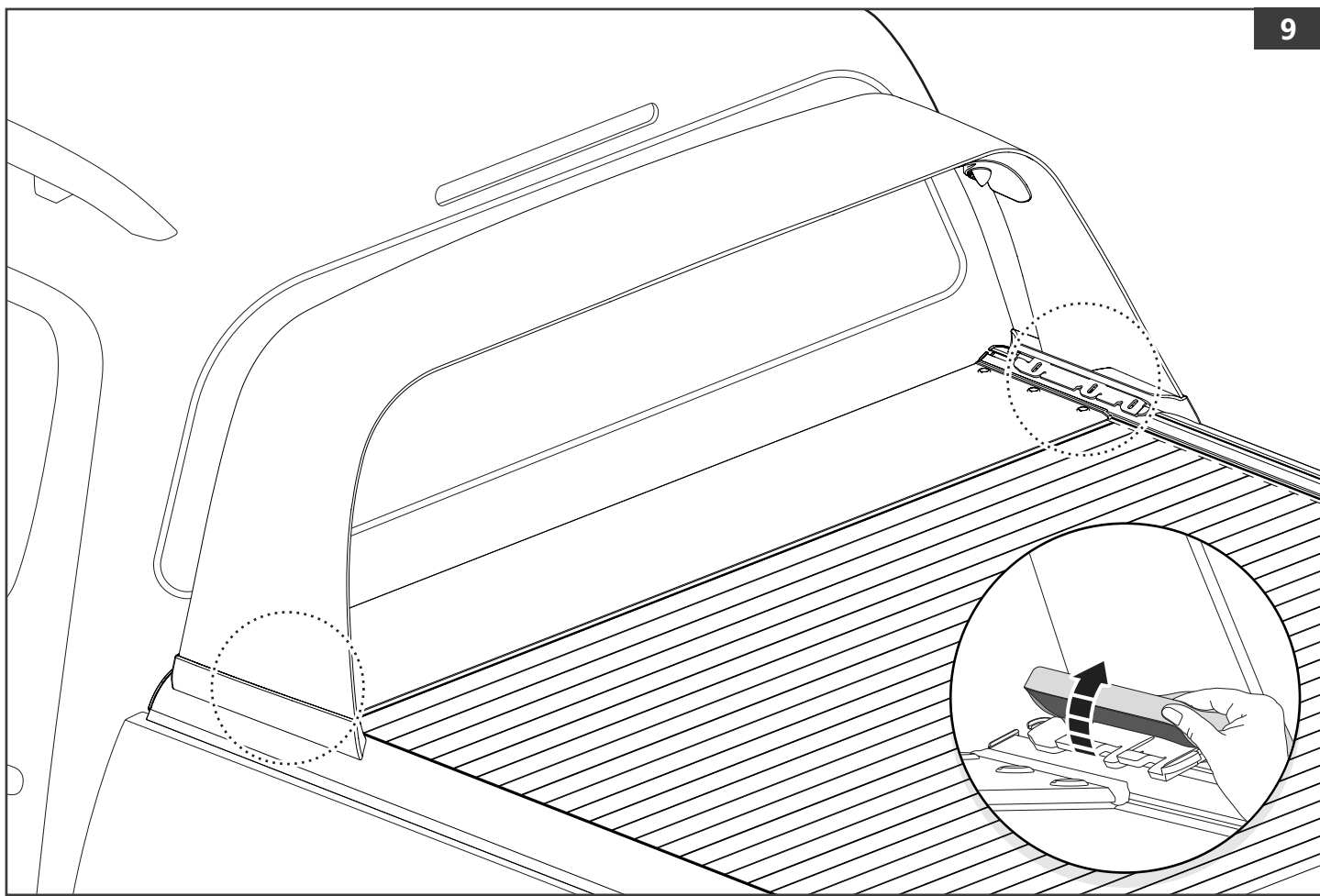
x 2



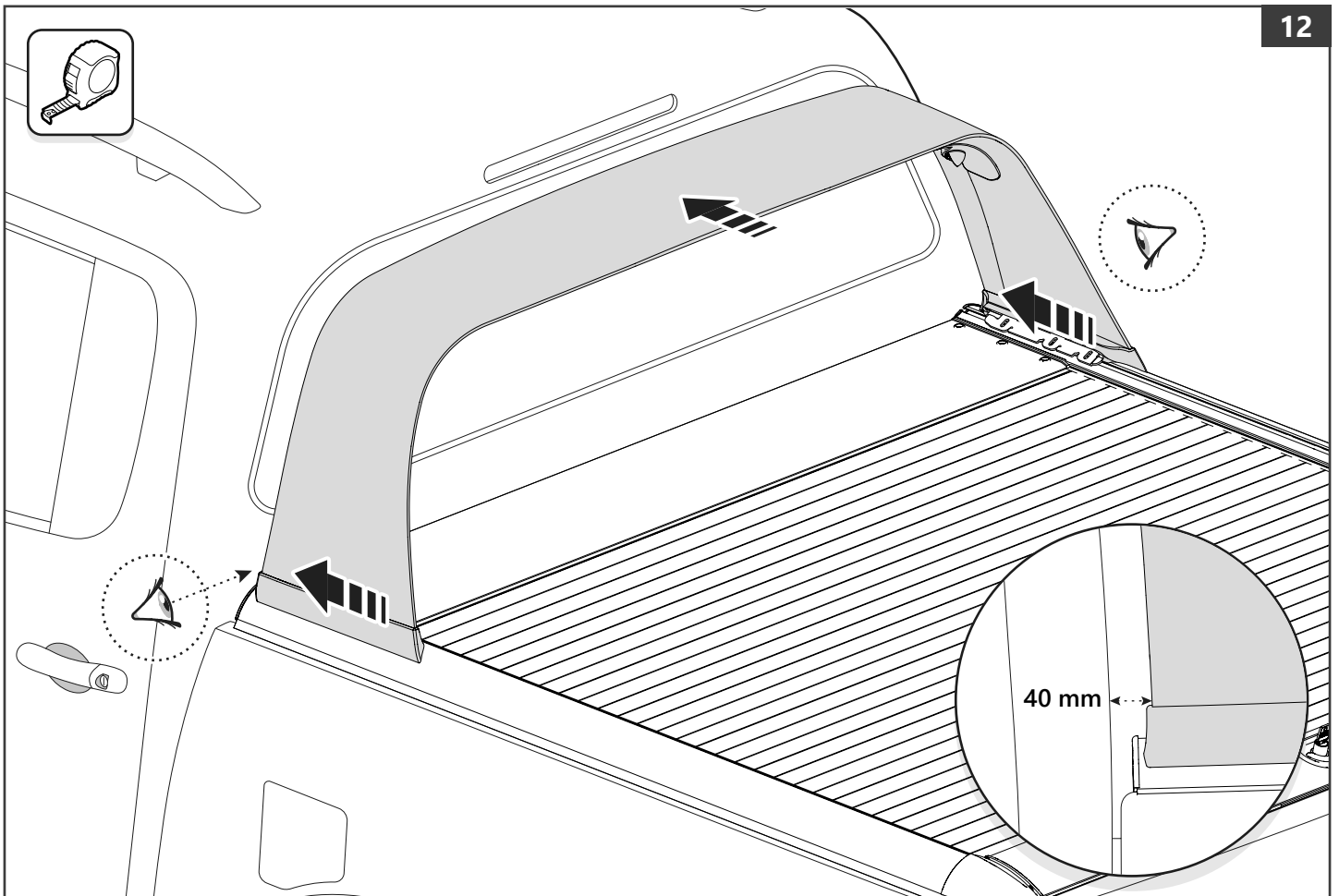
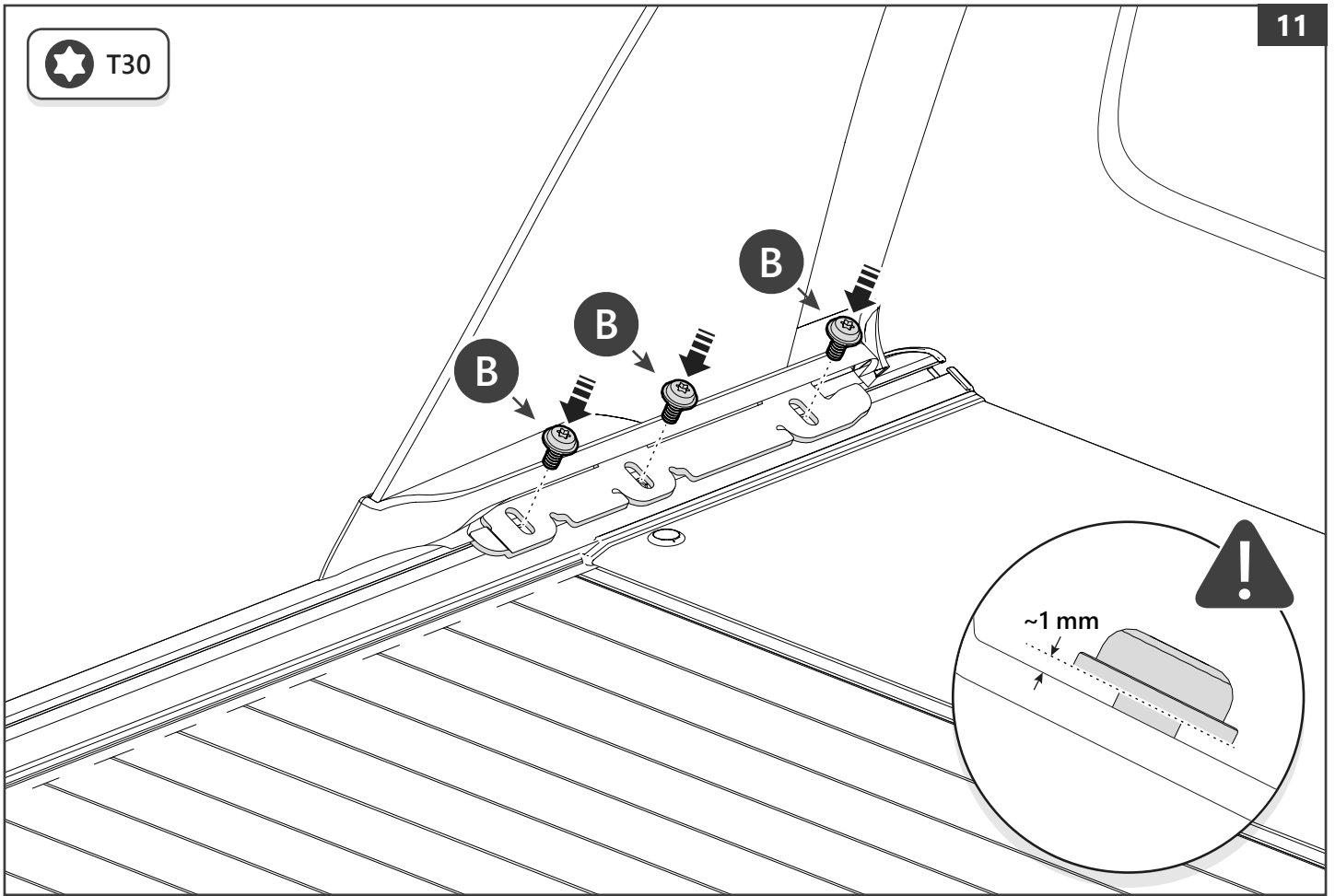


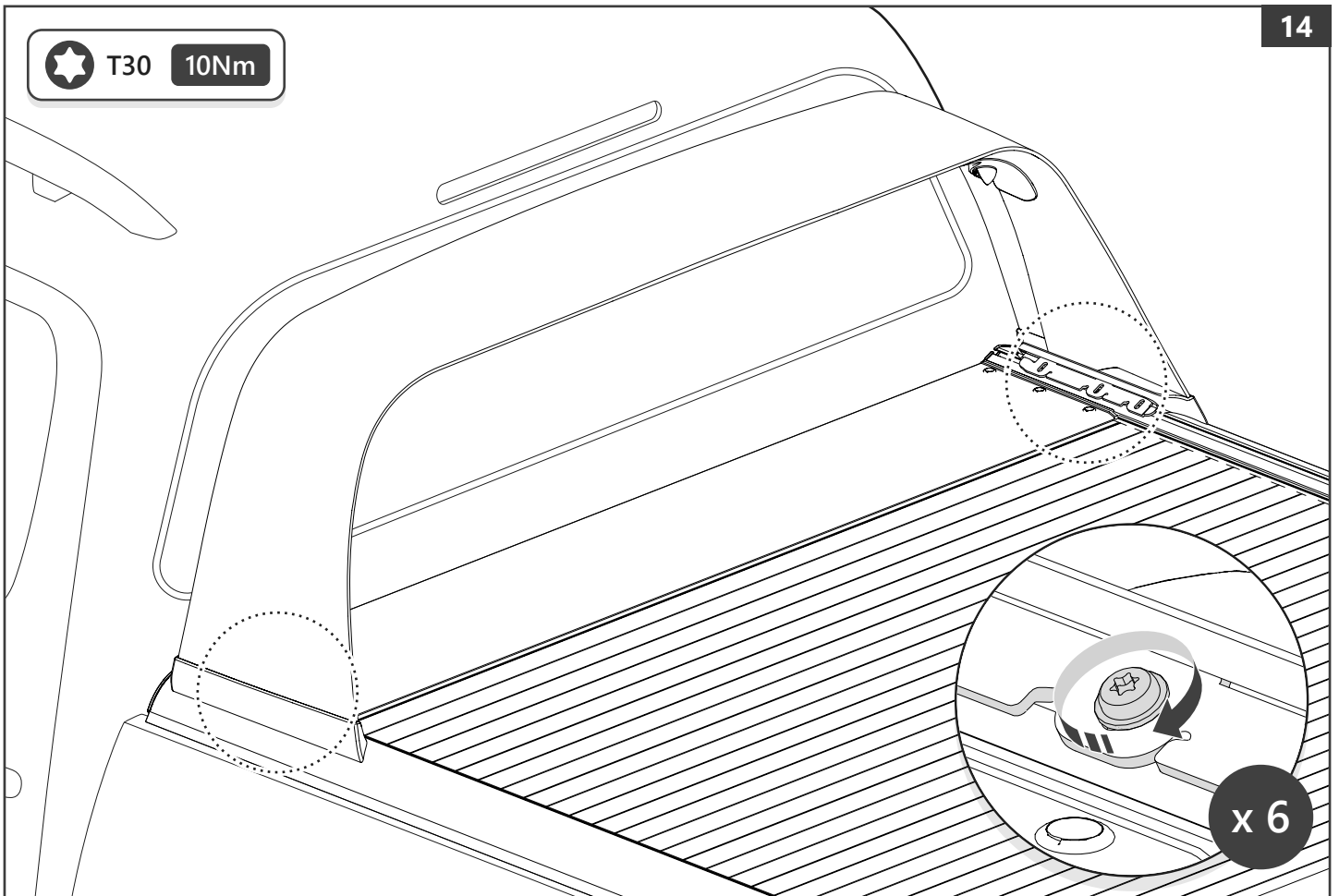
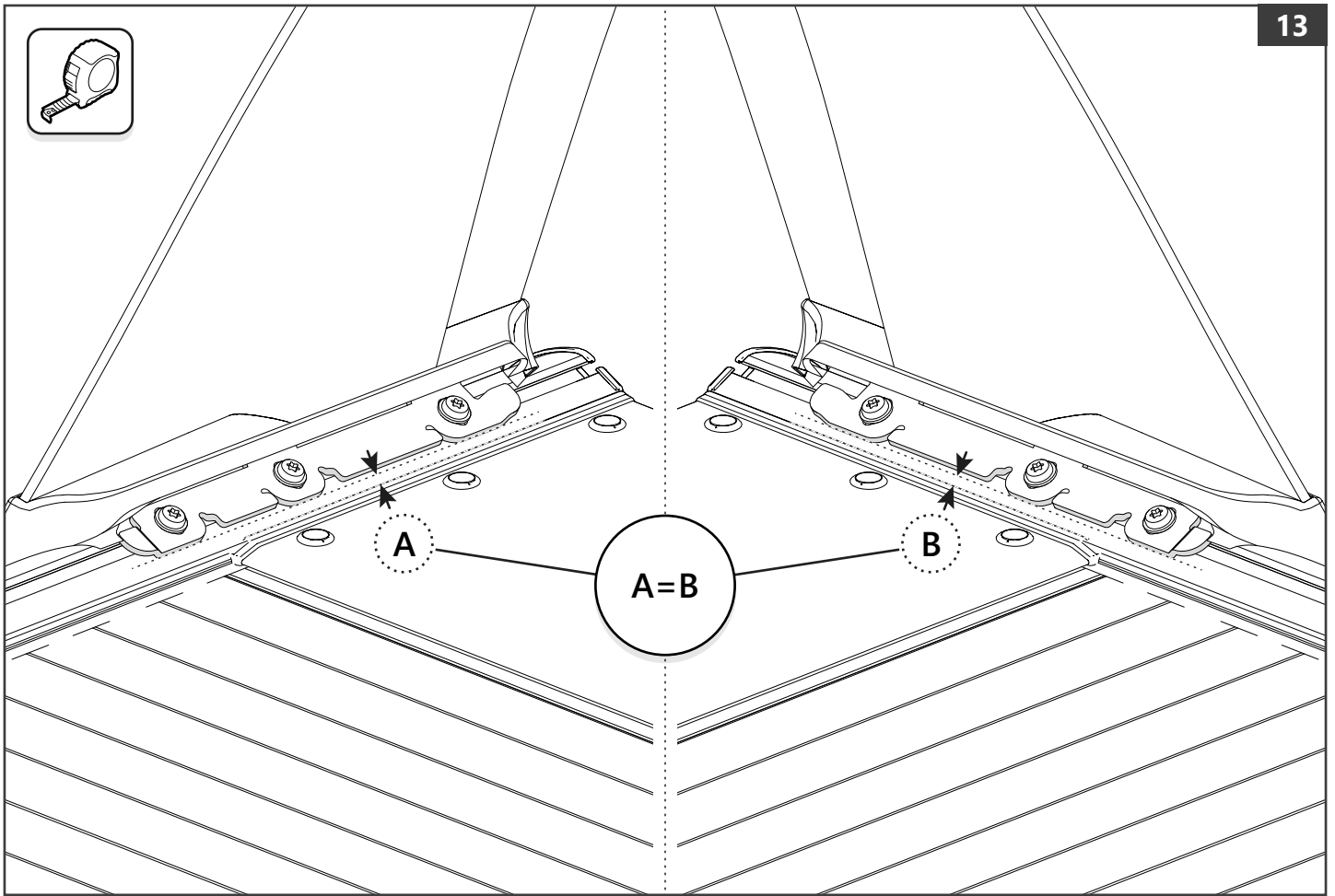


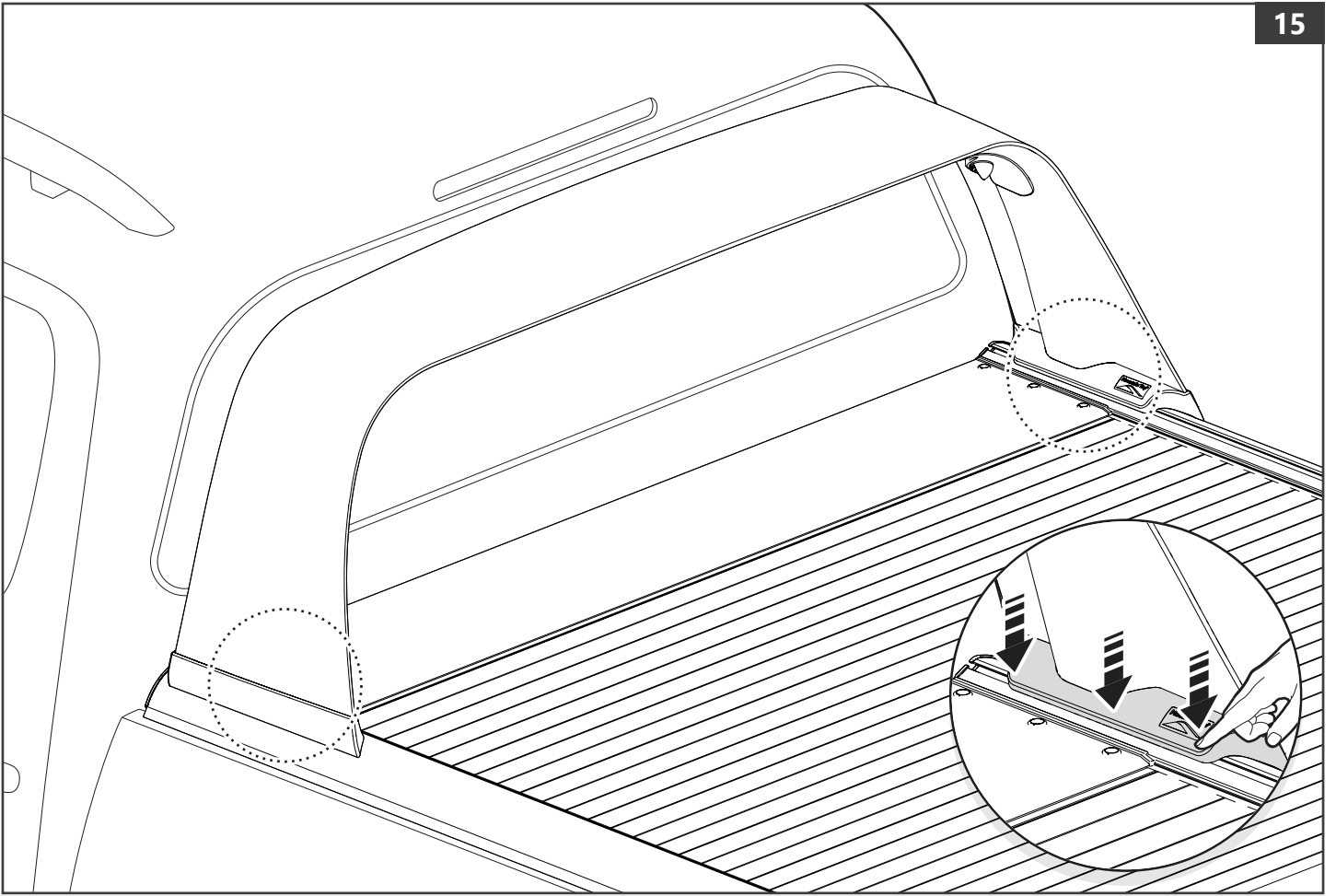




T30















Customer Service +45 4810 2950 (08:00 - 16:00 CET)  
Fax +45 4810 2960  
Support info@mountaintop.dk  
Website www.mountaintop.dk  
Address Pedersholmparken 10, 3600 Frederikssund, Denmark

PART NUMBER(S)	MODEL / YEAR	CAB TYPE(S)	INSTALLATION TIME	WEIGHT
AB VW80 A01	Volkswagen / 2010 →	Double Cab	1 hour(s)	16 Kg
AB TO90 A01	Toyota / 2015 →	Double Cab	1 hour(s)	16 Kg

<b>GB</b> Installation manual	<b>S</b> Monteringsanvisning	<b>D</b> Einbauanleitung
<b>SF</b> Asennusohje	<b>E</b> Instrucciones de montaje	<b>CZ</b> Návod k instalaci
<b>F</b> Notice de montage	<b>H</b> Szerelési utasítás	<b>I</b> Istruzioni de montaggio
<b>PL</b> Instrukcja montażu	<b>P</b> Instruções de instalação	<b>GR</b> Οδηγίες Εγκατάστασης
<b>NL</b> Installatie-instructies	<b>RUS</b> Инструкция по установке	<b>DK</b> Monteringsvejledning
<b>TR</b> Montaj Talimatı	<b>N</b> Monteringsveiledning	<b>RO</b> Instructiuni de instalare