



# RHINO-RACK

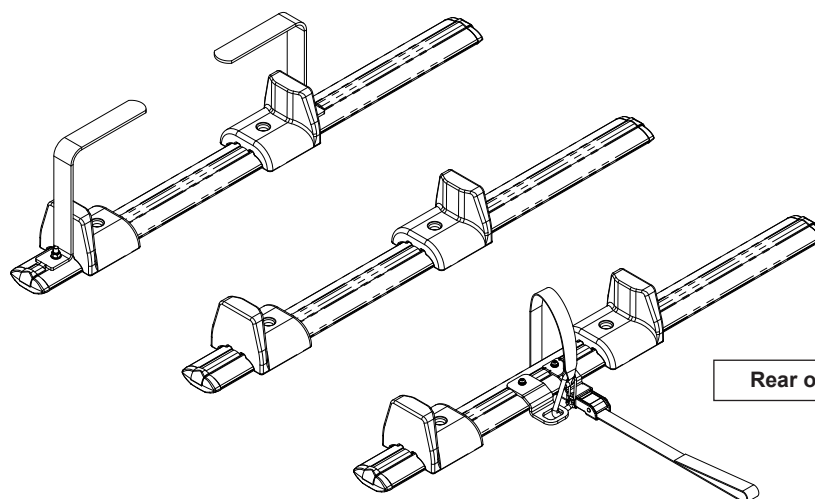
Aerodynamic & Heavy Duty Roof Rack Systems

## SEGLK - Aero Ladder Slide Kit

**Important:** Please read these instructions carefully prior to installation.  
Please refer to your fitting instruction to ensure that the roof racks are installed in the correct locations.  
Check the contents of this kit before commencing fitment and report any discrepancies.  
Place these instructions in the vehicle's glove box after installation is complete.

### Three Crossbar Layout

Front of Vehicle



Rear of Vehicle

**Care Instruction:** Wash vehicle roof racks prior to installing aero ladder slide kit.

### Important Information

**Maximum carrying capacity:** Load not to exceed maximum capacity specified by vehicle manufacturer.

**Recommendations:**

It is essential that all bolt connections be checked after driving a short distance when you first install your cross bars. Bolt connections should be checked again at regular intervals (probably once a week is enough, depending on road conditions, usage, loads and distances travelled). You should also check the cross bars each time they are re-fitted.

Make sure to fasten your load securely. Please ensure that all loads are evenly distributed and that the centre of gravity is kept as low as possible.

**Use only non-stretch fastening ropes or straps.**

**Sensitivity to cross winds, behaviour in curves and braking.**

The handling characteristics of the vehicle, changes when you transport a load on the roof. For safety reasons, we recommend you exercise extreme care when transporting wind-resisting loads; special consideration must be taken into account when braking.

**Please remove cross bars when putting vehicle through an automatic car wash.**

**Load Ratings:**

Load not to exceed maximum capacity specified by vehicle manufacturer. When cross bars are to be used in off-road conditions please build a safety factor of 1.5 into this load limit. Although the cross bars are tested and approved to AS1235-2000, Australian road conditions can be much more rigorous. However, increasing the number of cross bars does not increase the vehicles maximum permissible roof loading.

**Note for Dealers and Fitters:**

It is your responsibility to ensure instructions are given to the end user or client.

Rhino-Rack  
3 Pike Street, Rydalmere,  
NSW 2116, Australia.  
(Ph) (02) 9638 4744  
(Fax) (02) 9638 4822

Document No: RS-350  
Prepared By: Nigel Greig  
Authorised By: Gary England

Issue No: 05  
Issue Date: 21/12/2010

These instructions remain the property of RhinoRack Australia Pty Ltd and may not be used or changed for any other purpose than intended.



# SEGLK - Aero Ladder Slide Kit

## Parts List

Item	Component Name	Qty	Part No.
1	Sportz Single Ladder Hoop	2	C682
2	M6 Nyloc Nut	6	N013
3	M6 x OD16mm Flat Washer	6	W031
4	Rhino Sportz T-Bolt Tab	6	M086
5	M6 x 16mm T-Bolt	6	B089
6	Ladder Slide	6	M400
7	M8 Nyloc Nut	2	N028
8	M8 x OD17mm Flat Washer	2	W020
9	M8 x 25mm Square Head Bolt	2	B084
10	Sportz Hook Bracket	1	C446
11	M6 x 15mm Security Bolt	2	B152
12	M6 Spring Washer	2	W004
13	M6 Channel Nut	2	N002
14	SLS5 Ladder Strap	1	-
15	Security Key	1	SECKEY-S
16	Fitting Instructions	1	RS-350

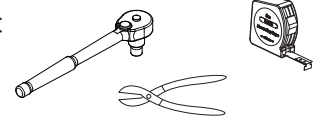
### Tools Required

5mm Security Key (provided in kit)

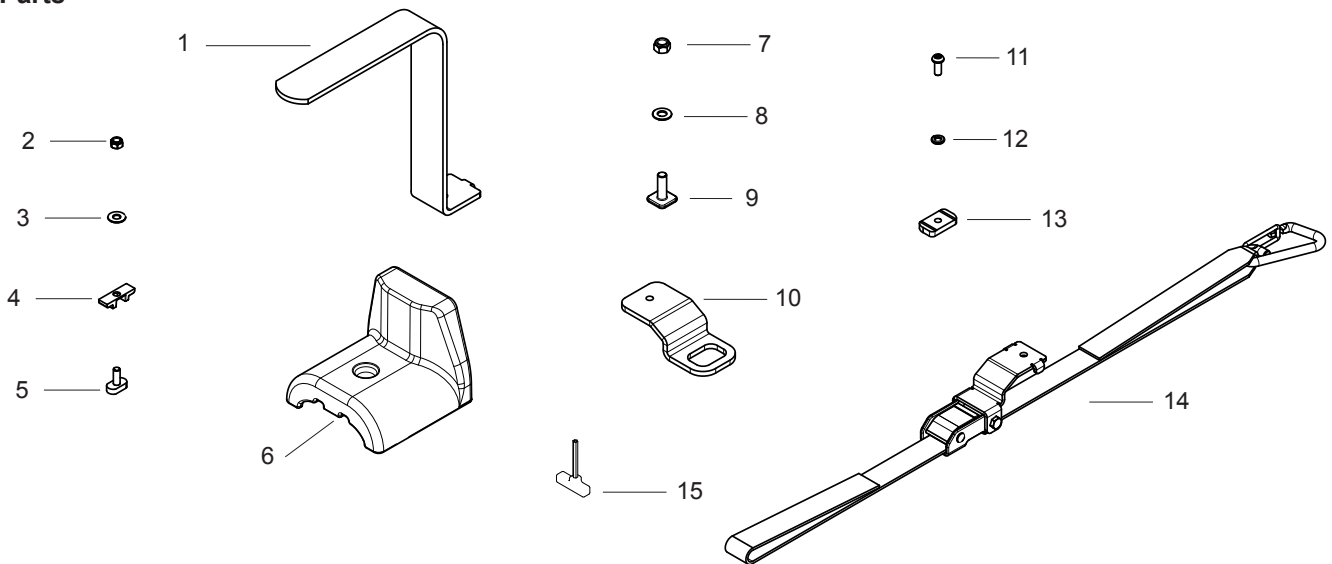
Tape Measure

Side Cutters/Knife

Ratchet & 10mm Socket



### Parts



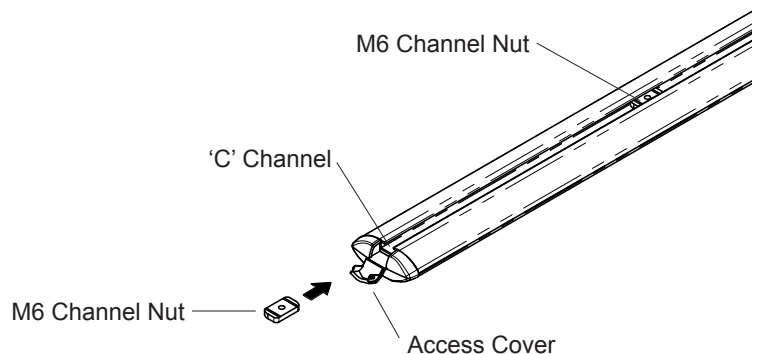
## 1 Insert Channel Nuts:

Remove the rubber buffer strip from all the crossbars.

Swing open the 'C' Channel access cover (where fitted) or remove the roof rack leg to gain access to the 'C' Channel. You will only have to do this on the front and rear crossbars.

On the rear crossbar insert 2 x M6 channel nuts into the 'C' Channel and position roughly where the centre of the ladder will sit.

Make sure the channel nuts stay between the two easy glide pads when fitted.





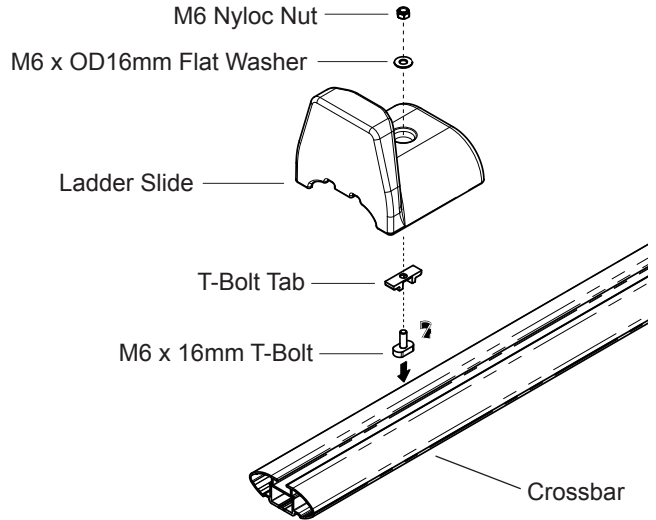
# SEGLK - Aero Ladder Slide Kit

## 2 Fit Ladder Slides:

Lower the t-bolt into the 'C' Channel of the crossbar and rotate 90 degrees as shown. Slide the t-bolt tab over the bolt so it sits within the 'C' Channel, this will stop the bolt rotating out.

Lower the ladder slide over the t-bolt and position the slide to suit your ladder. Fasten in place with the hardware specified.

Repeat for all ladder slides making sure that the slides are facing each other with the uprights to the outside.

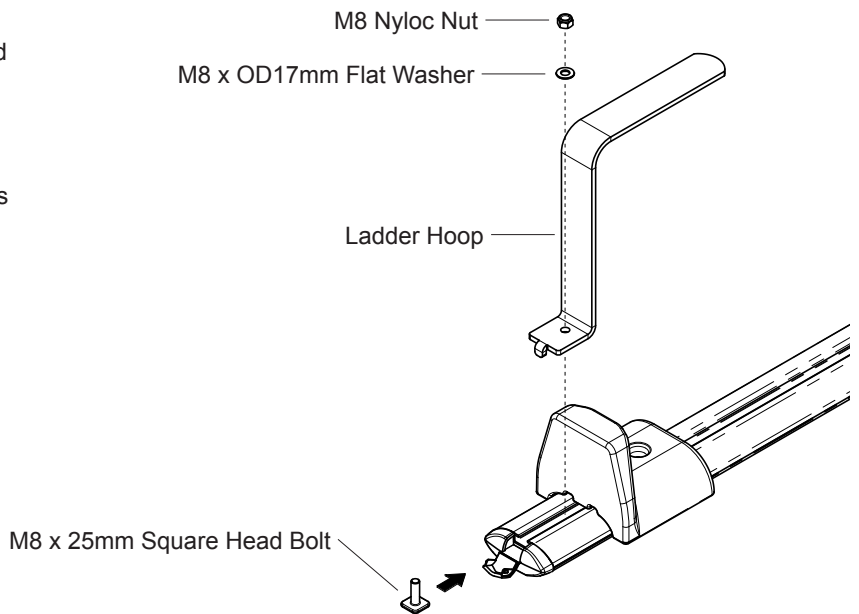


## 3 Ladder Hoop Fitment:

On the front crossbar, insert one M8 square head bolt into each end of the crossbar by sliding the head into the 'C' Channel.

Lower the ladder hoops over the bolts. Slide the hoop up against the back wall of the ladder slides and fasten in place with the hardware shown.

The ladder hoops should be facing each other.



## 4 Ladder Strap Fitment:

Fit the ladder strap and snap hook bracket to the rear crossbar as shown below.

Position and hold the snap hook bracket over the existing channel nut and fasten in place using hardware specified.

Repeat this process with the ladder strap, positioning the strap over the second channel nut.

Cut the rubber buffer strips to size and fit to each of the crossbars.

