



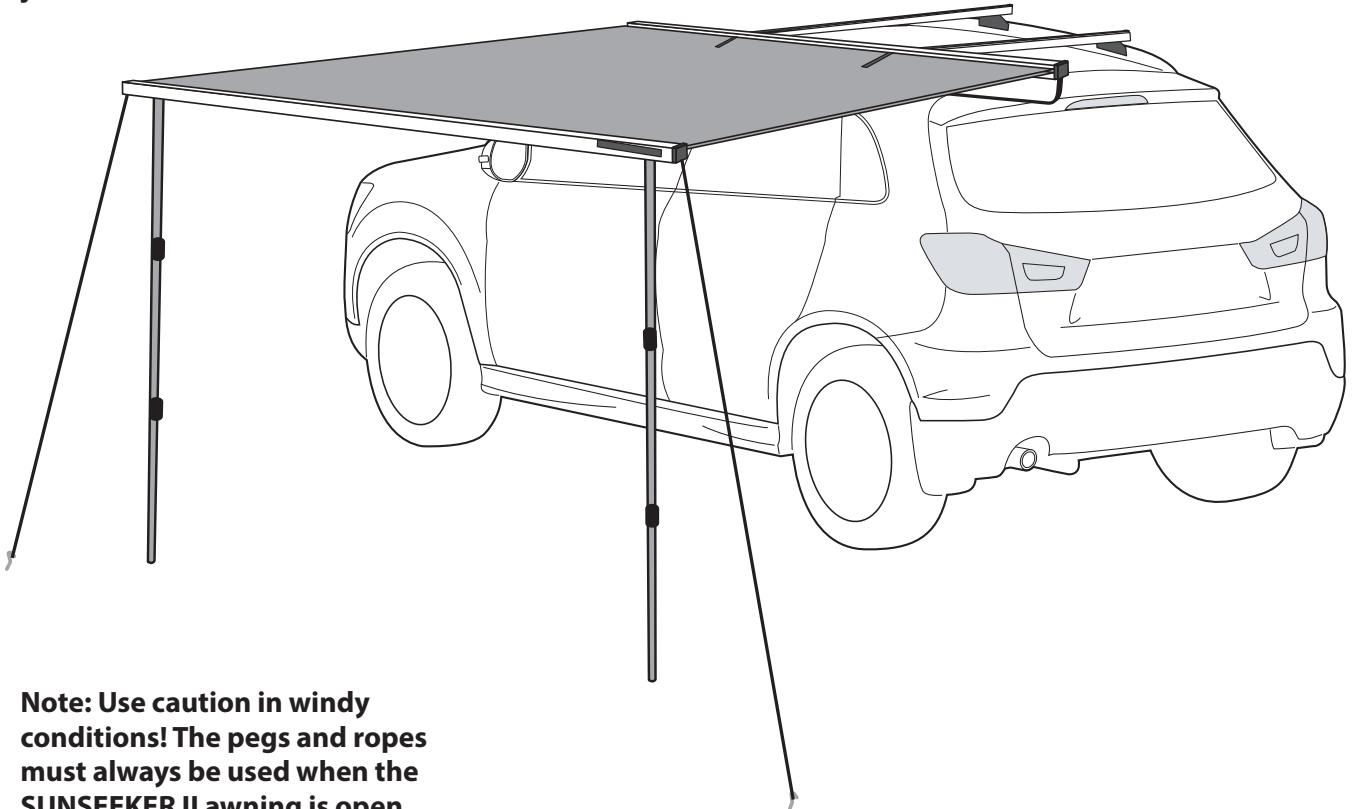
CONTROLLED

RHINO-RACK

Rhino-Rack SUNSEEKER II Awning 2.0 metres (32109)

Important: Please read these instructions carefully prior to installation. Please refer to your fitting instruction to ensure that the roof racks are installed in the correct locations. Check the contents of kit before commencing fitment and report any discrepancies. Place these instructions in the vehicle's glove box after installation is complete.

Layout



Note: Use caution in windy conditions! The pegs and ropes must always be used when the SUNSEEKER II awning is open.

Important Information

Recommendations

It is essential that all bolt connections be checked after driving a short distance when you first install your Rhino SUNSEEKER II Awning. Bolt connections should be checked again at regular intervals (probably once a week is enough, depending on road conditions, usage, loads and distances travelled). You should also check the roof bars each time they are refitted.

Use only non-stretch fastening ropes or straps.

Please remove SUNSEEKER II Awning and crossbars when putting vehicle through an automatic car wash.

Load Ratings

With the addition of the SUNSEEKER II Awning, the load capacity of your crossbars will have to be adjusted accordingly. The SUNSEEKER II Awning and 2 crossbars weigh approximately 15kg.

Note for Dealers and Fitters

It is your responsibility to ensure this fitting instruction is given to the end user or client

Rhino-Rack
3 Pike Street, Rydalmere,
NSW 2116, Australia.
(Ph) (02) 9638 4744
(Fax) (02) 9638 4822

Document No: R239
Prepared By: Andy Wana
Authorised By: Chris Murty

Issue No: 03
Issue Date: 17/02/2015

These instructions remain the property of Rhino-Rack Australia Pty Ltd and may not be used or changed for any other purpose than intended.

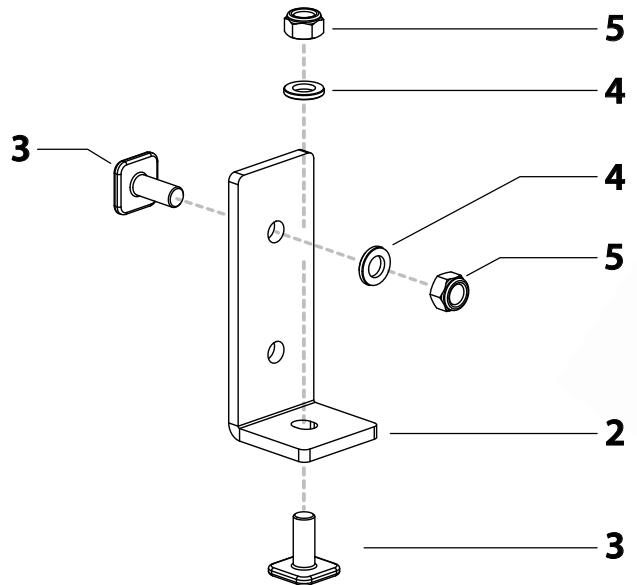


Rhino-Rack SUNSEEKER II Awning 2.0 metres (32109)

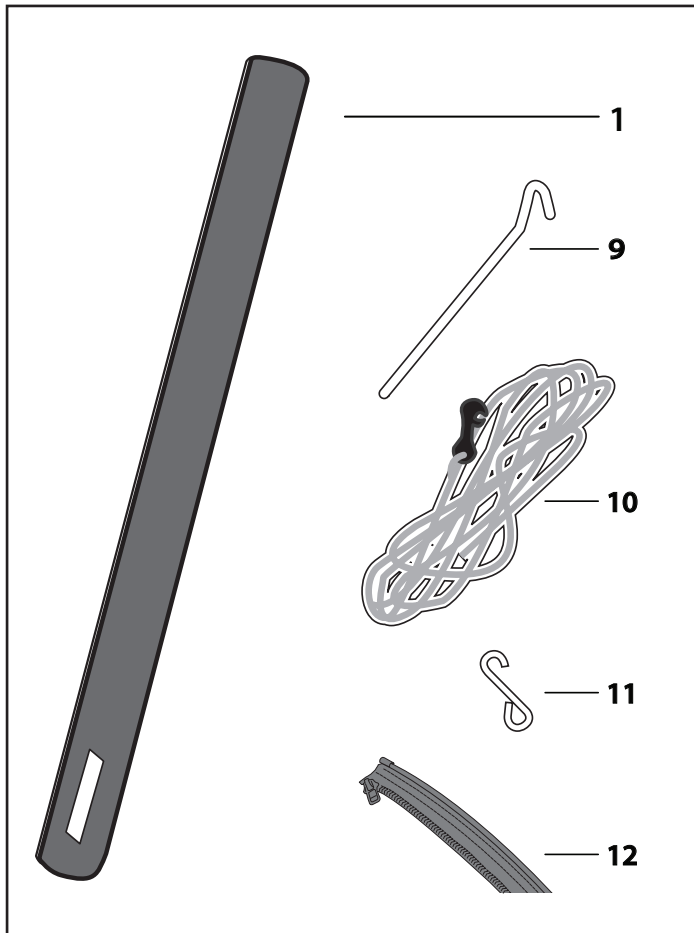
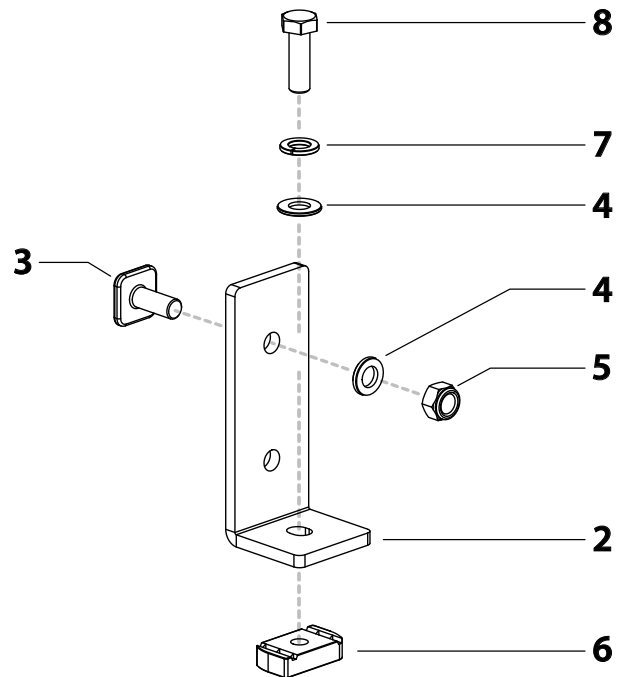
Parts List

Item	Component Name	Qty
1	SUNSEEKER II 2.0m Awning	1
2	Crossbar Bracket	2
3	M8 x 20mm T-Bolt	4
4	M8 X 17mm Flat Washer	4
5	M8 Nyloc Nut	4
6	M8 Channel Nut	2
7	M8 Spring Washer	2
8	M8 x 25mm Hex Bolt	2
9	Metal Peg	2
10	Guy Rope	2
11	Metal Hook	2
12	Awning Extension Adapter	1
13	Fitting Instruction	1

For Sportz / Aero Crossbar / Pioneer Trays



For Heavy Duty Crossbar

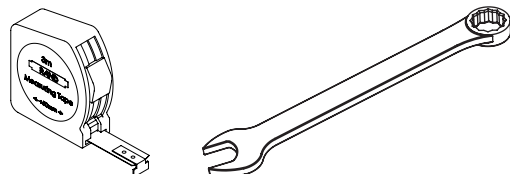


Care Instruction:

Wash and clean vehicle roof racks prior to fitment

Tools Required:

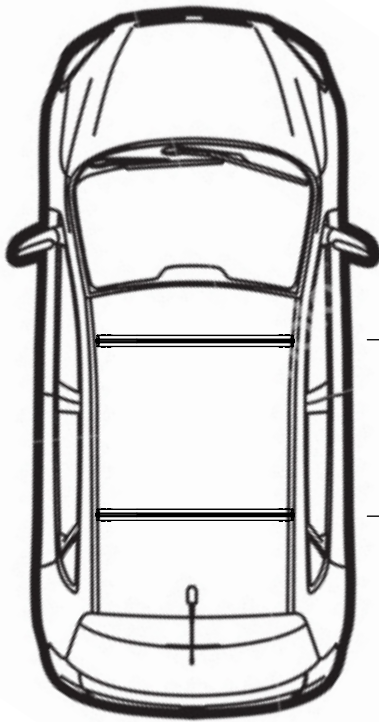
Tape measure, Spanner, Knife



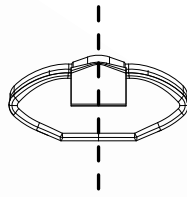


Rhino-Rack SUNSEEKER II Awning 2.0 metres (32109)

Minimum Crossbar Distance

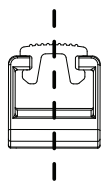


Distance measured from bar centre to bar centre

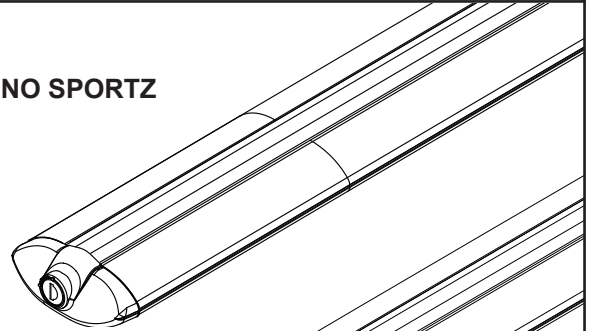


MINIMUM
800mm

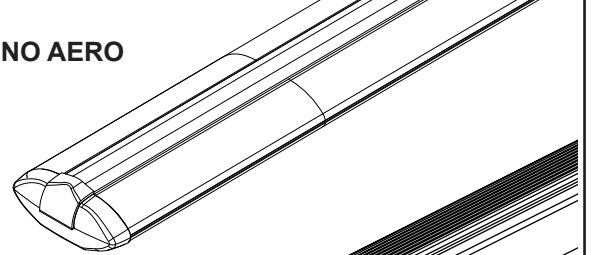
Distance measured from bar centre to bar centre



RHINO SPORTZ



RHINO AERO

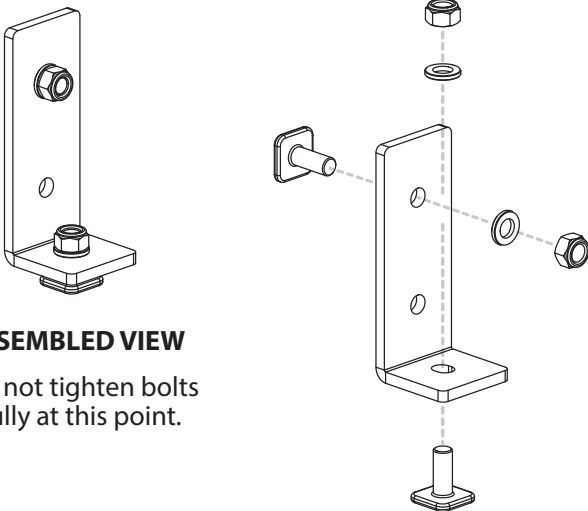


RHINO HEAVY DUTY



Fitting Instruction

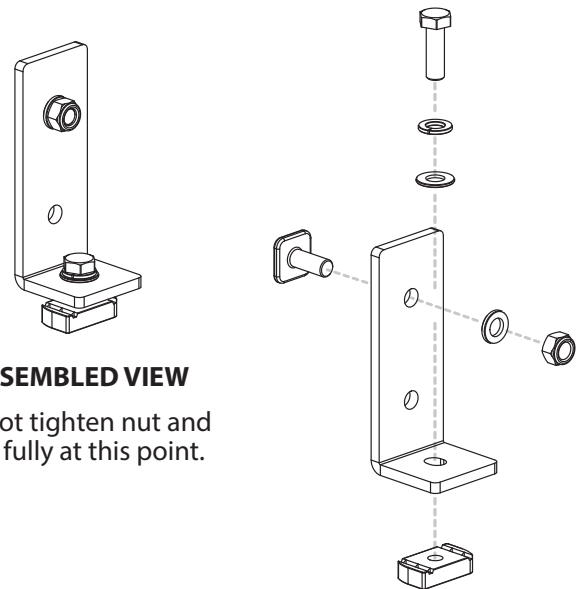
1A For Sportz / Aero Crossbar / Pioneer



ASSEMBLED VIEW

Do not tighten bolts fully at this point.

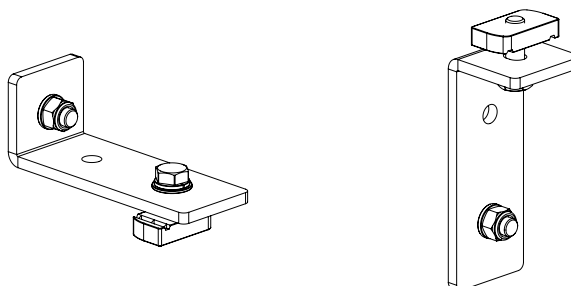
1B For Heavy Duty Crossbar



ASSEMBLED VIEW

Do not tighten nut and bolt fully at this point.

Alternate Configurations

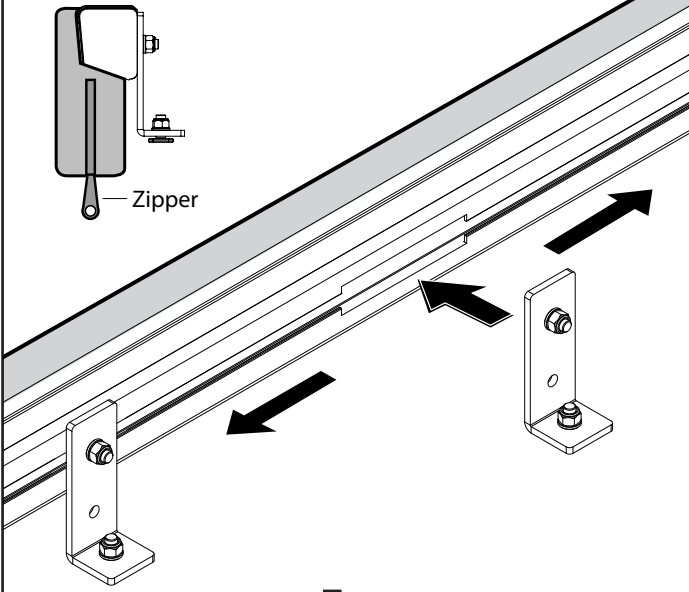




Rhino-Rack SUNSEEKER II Awning 2.0 metres (32109)

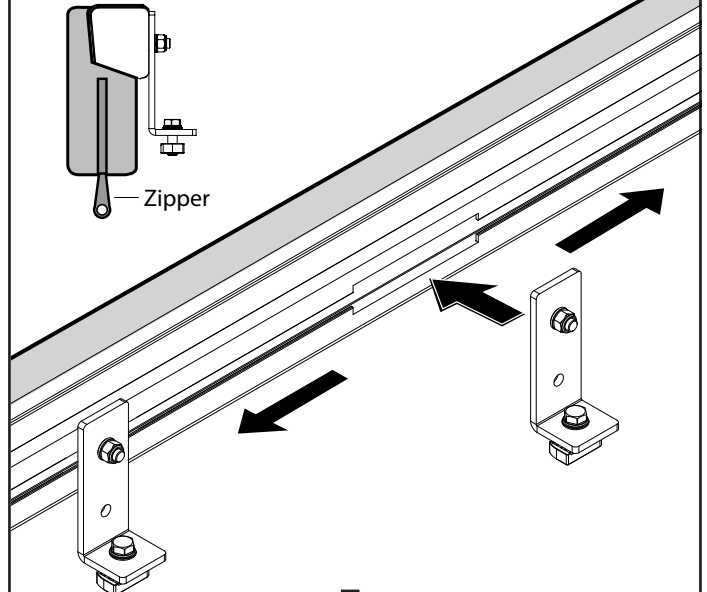
2A

Insert the crossbar bracket assemblies as shown.



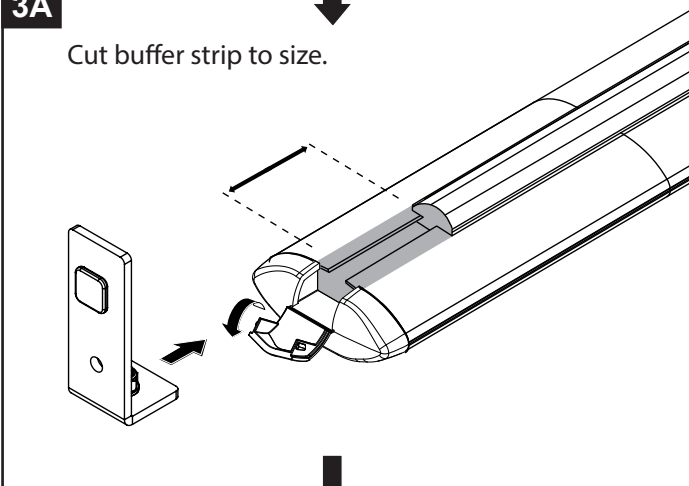
2B

Insert the crossbar bracket assemblies as shown.



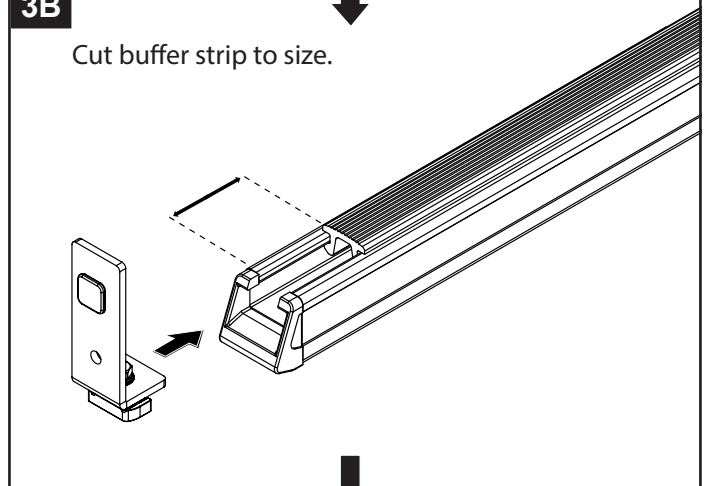
3A

Cut buffer strip to size.



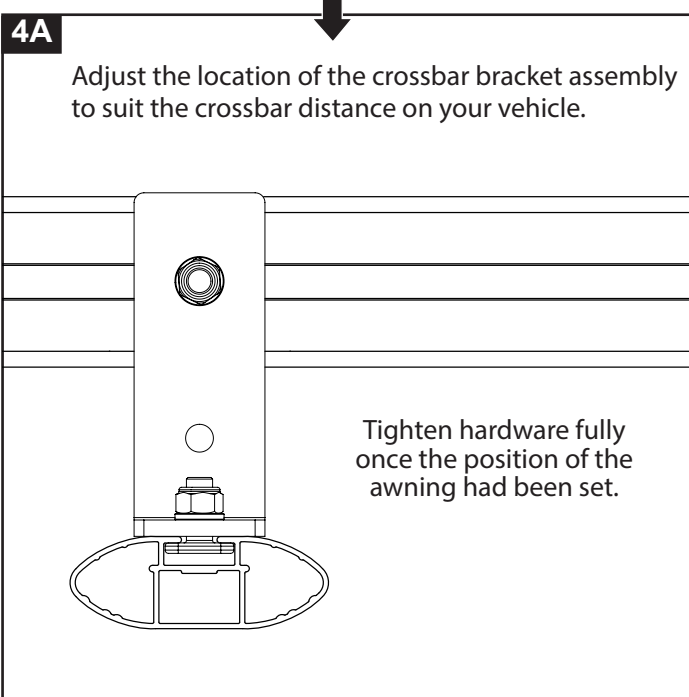
3B

Cut buffer strip to size.



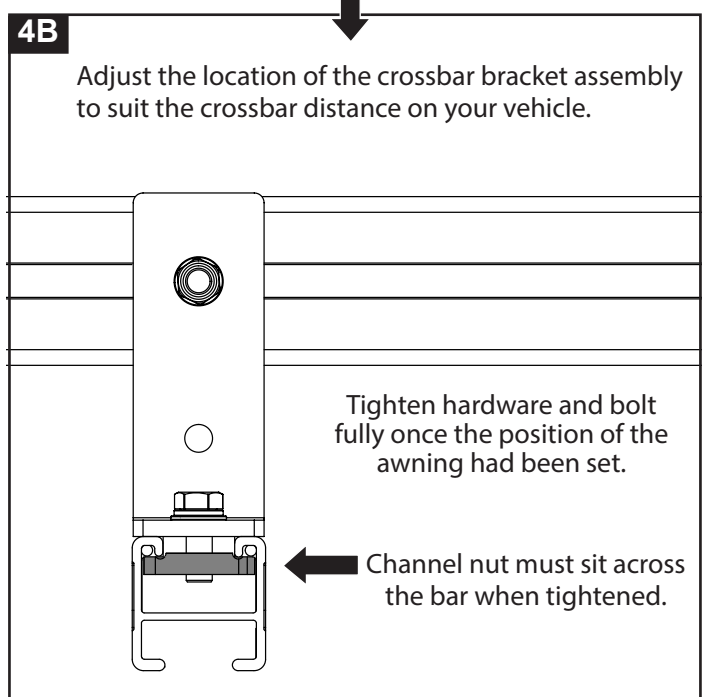
4A

Adjust the location of the crossbar bracket assembly to suit the crossbar distance on your vehicle.



4B

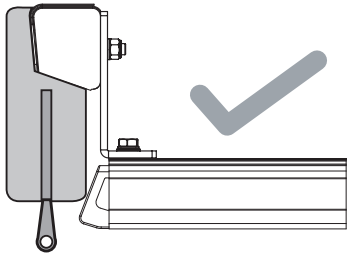
Adjust the location of the crossbar bracket assembly to suit the crossbar distance on your vehicle.



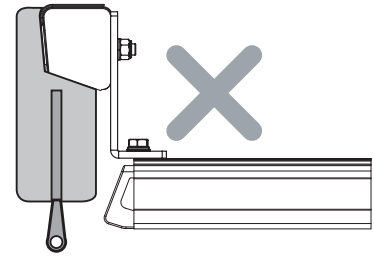


Rhino-Rack SUNSEEKER II Awning 2.0 metres (32109)

Ensure that the awning sits within the bar end

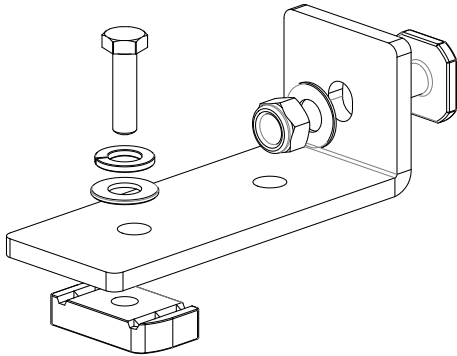


The awning must not sit further out than the bar end



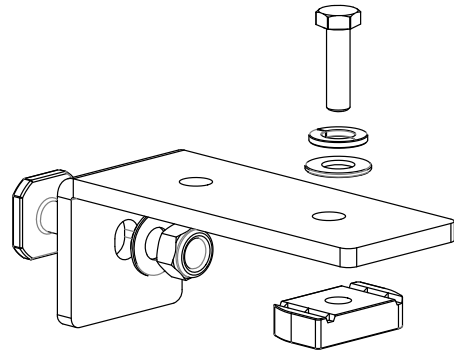
Pioneer Fitment

A

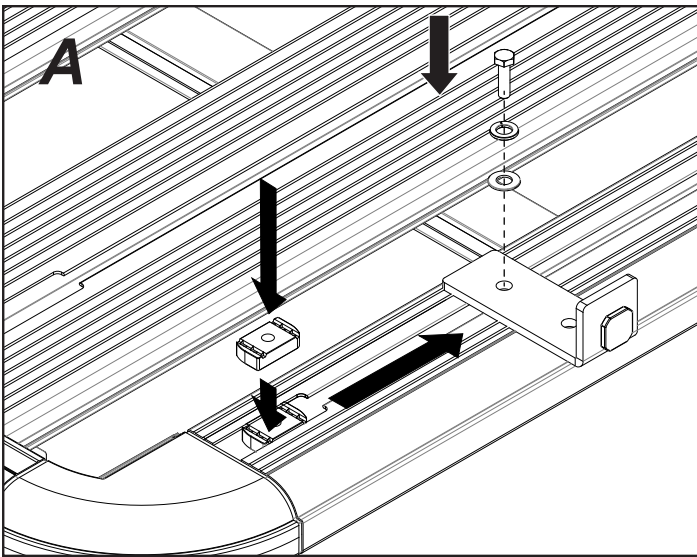


OR

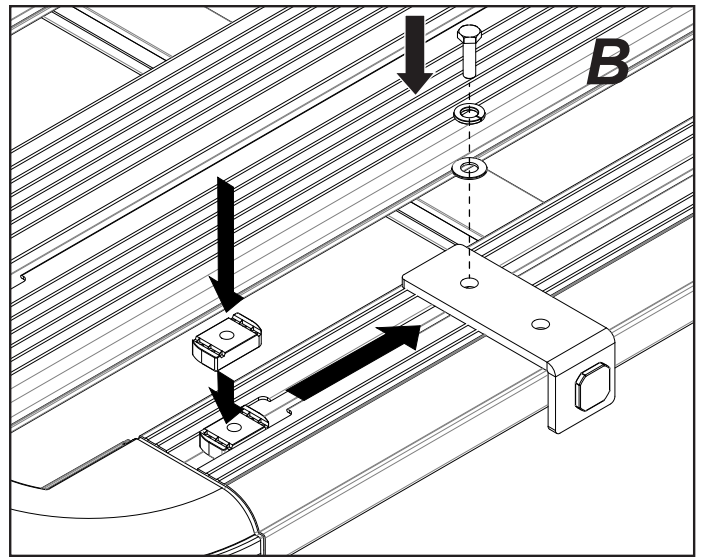
B



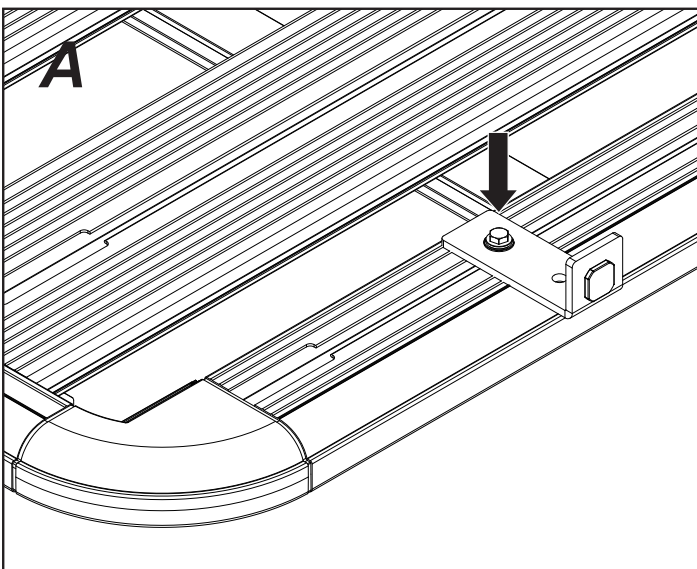
A



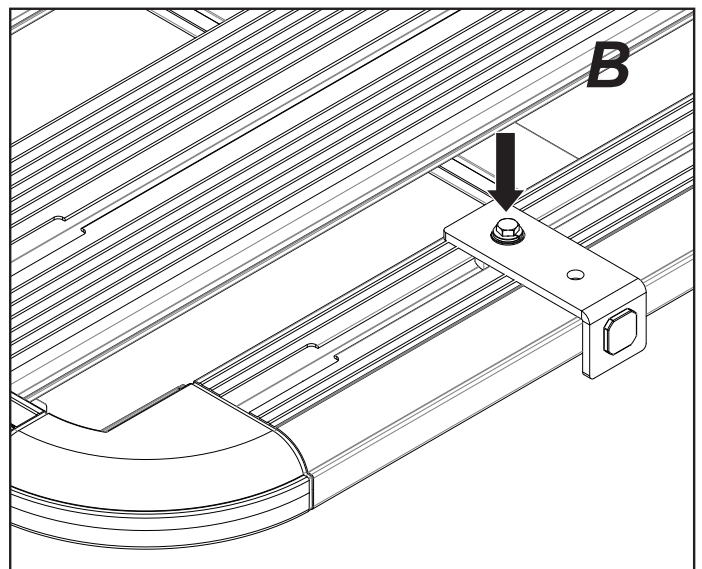
B



A



B

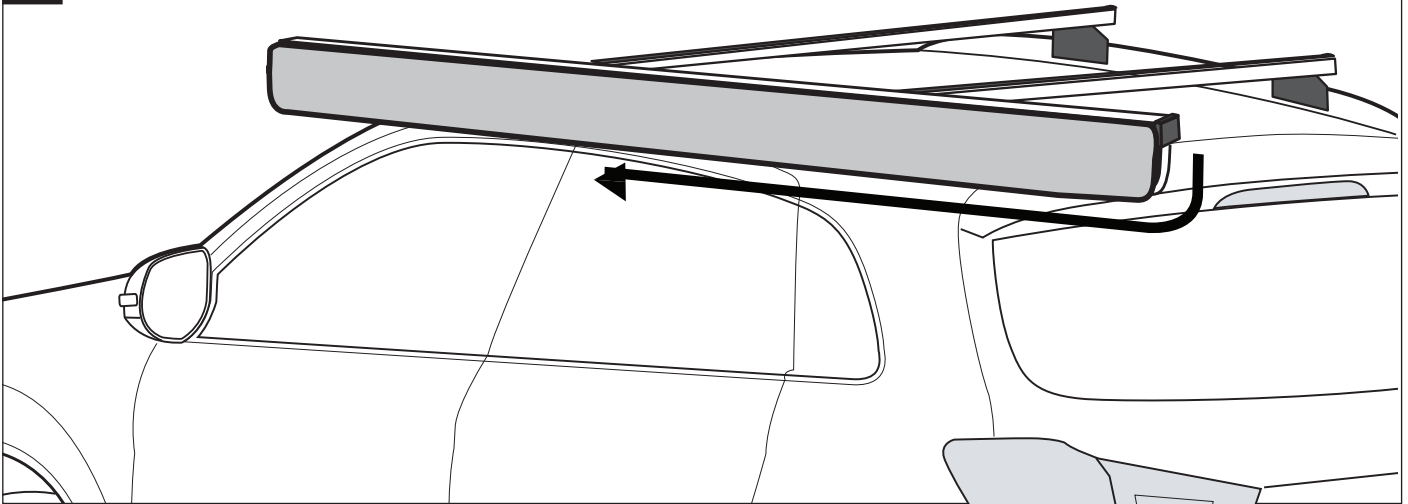




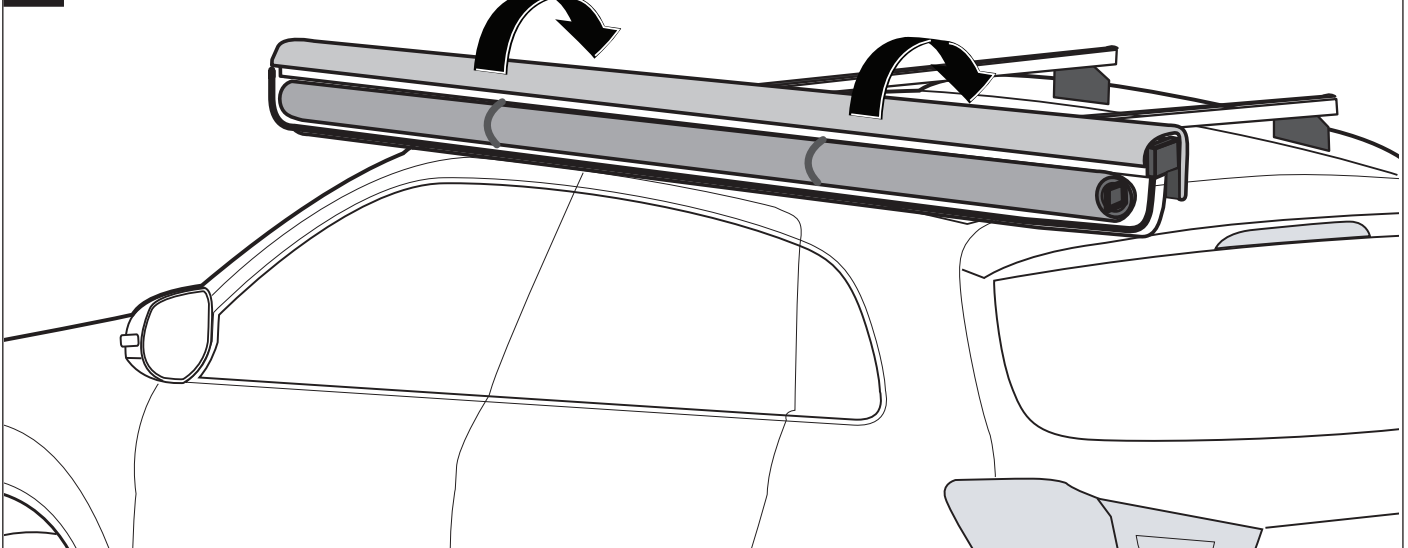
Rhino-Rack SUNSEEKER II Awning 2.0 metres (32109)

Operation Instruction

1

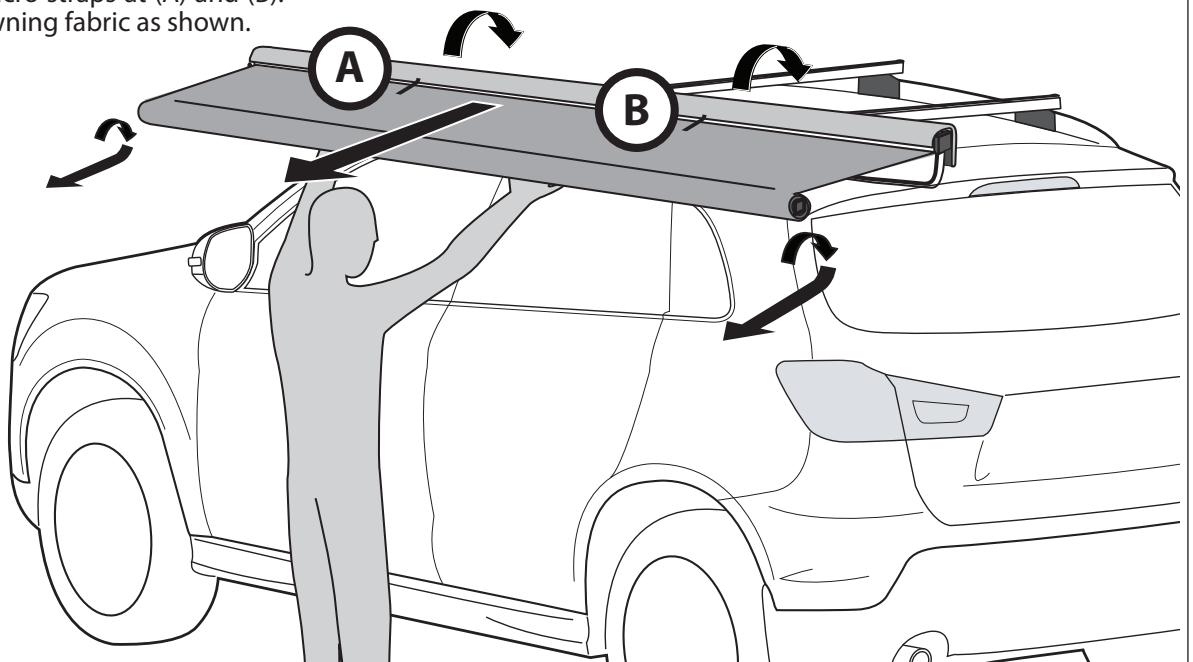


2



3

Undo the velcro straps at (A) and (B).
Unroll the awning fabric as shown.

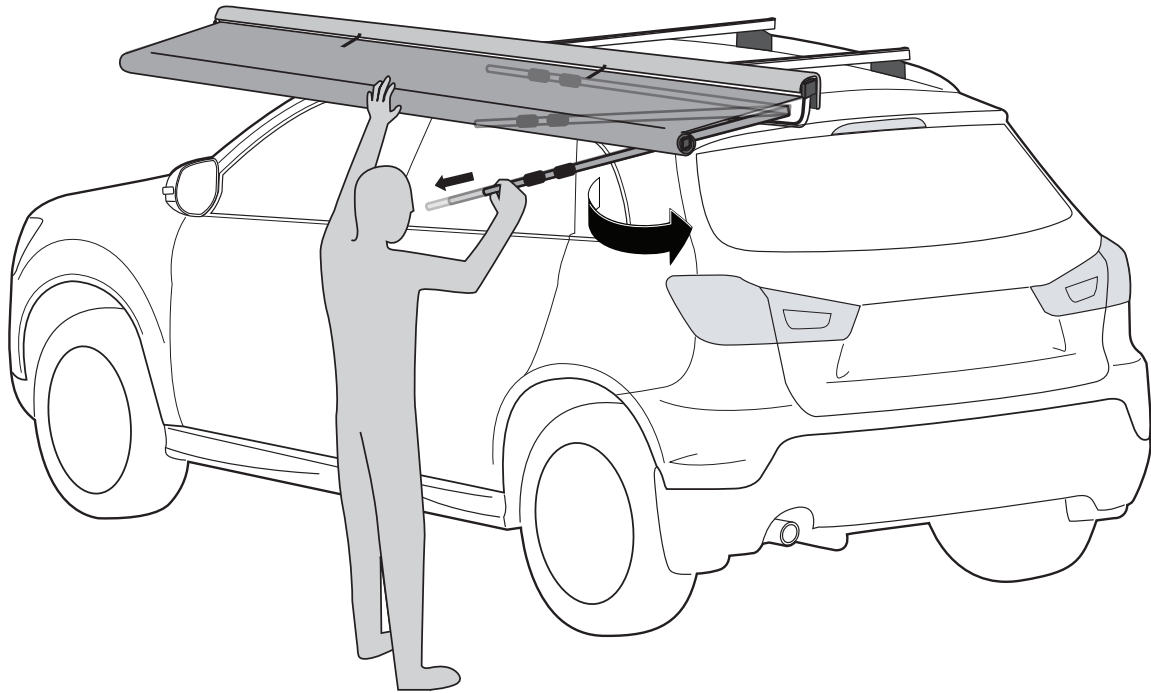




Rhino-Rack SUNSEEKER II Awning 2.0 metres (32109)

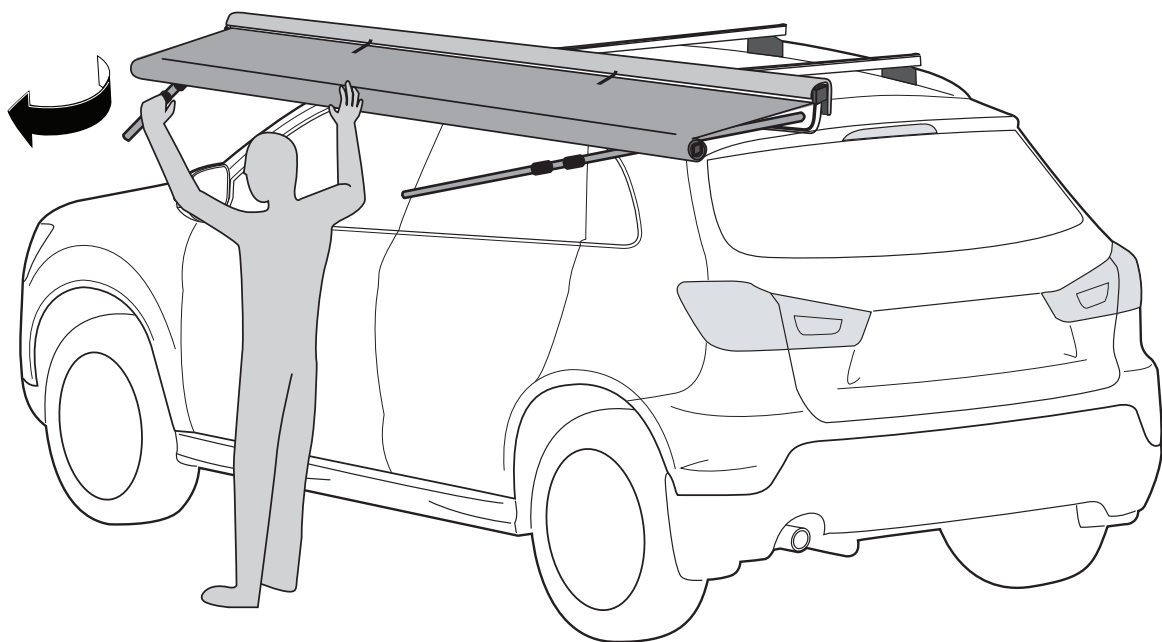
4

Swing the side pole outwards, loosen and extend inner pole as shown. Pole is a 3 stage twist pole.



5

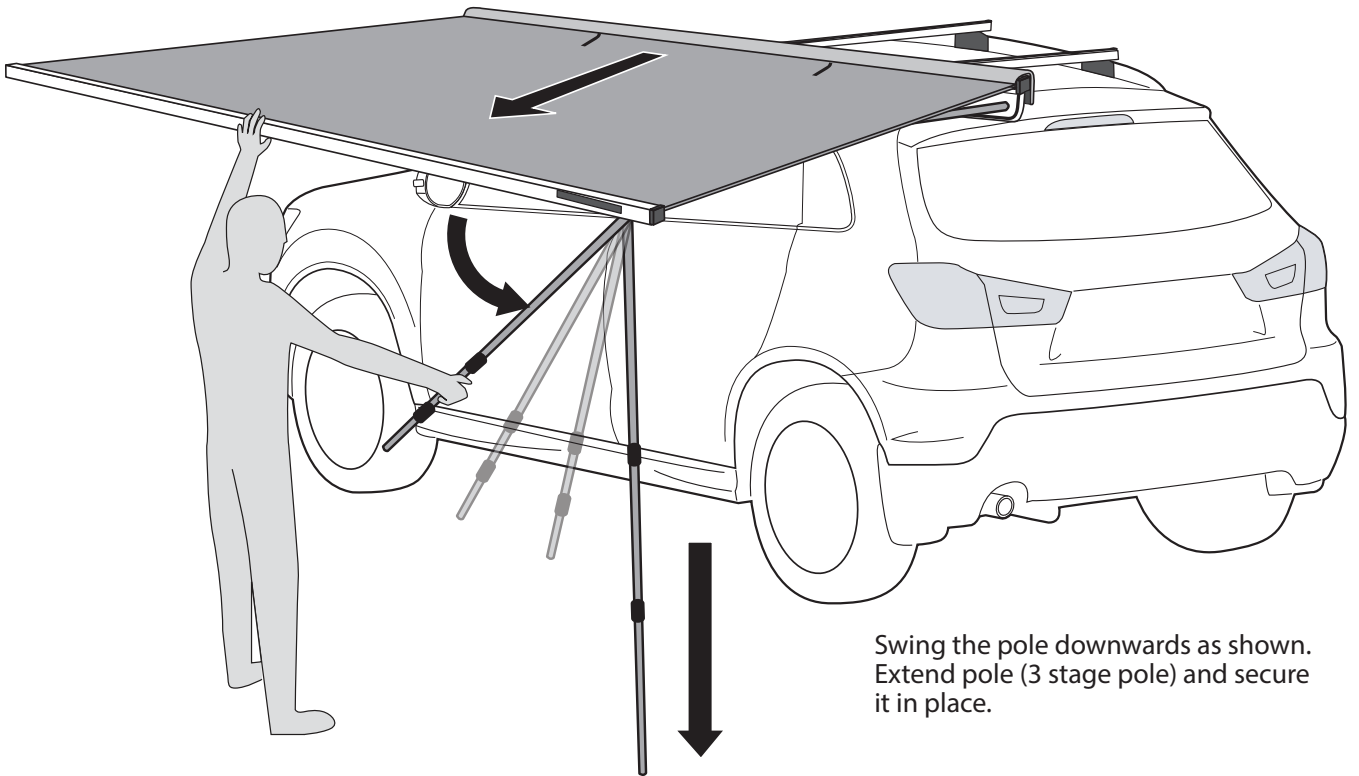
Repeat for the other side.





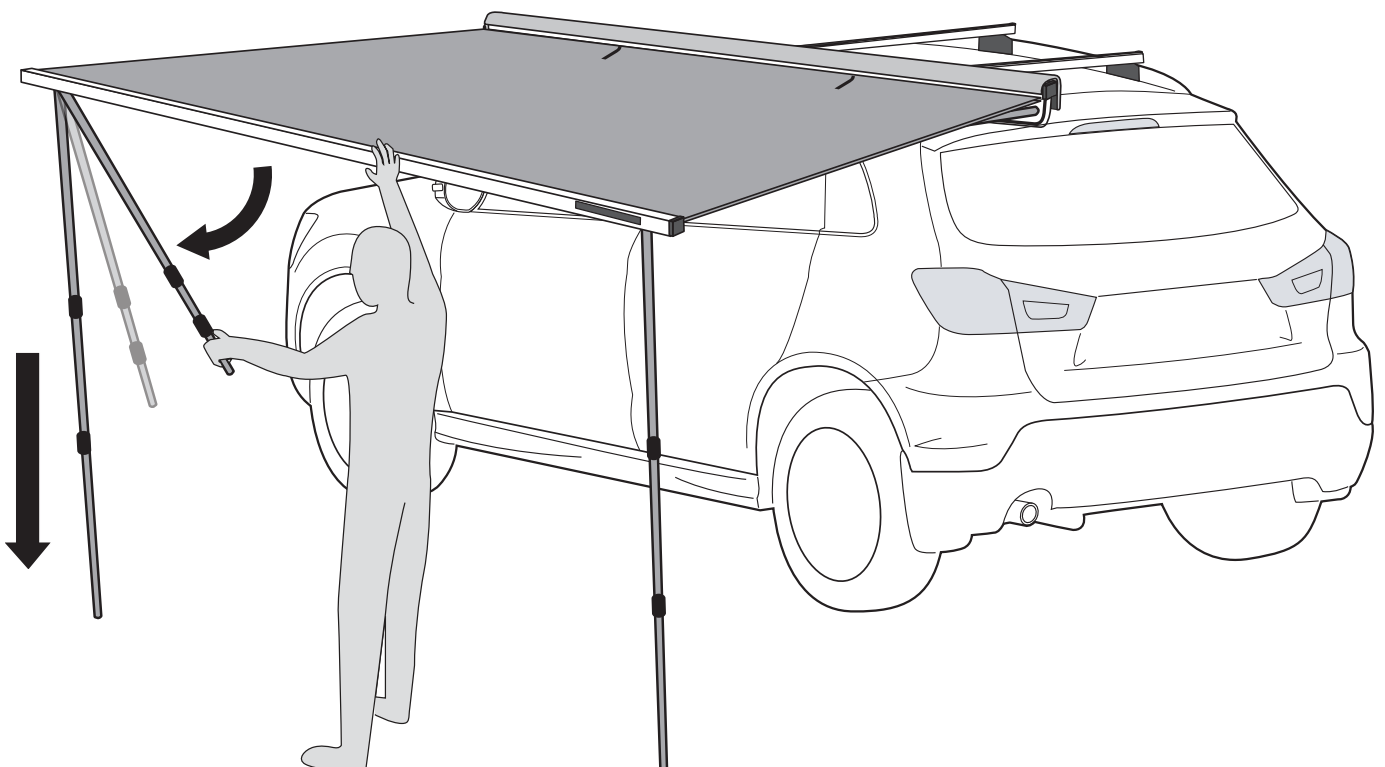
Rhino-Rack SUNSEEKER II Awning 2.0 metres (32109)

6



Swing the pole downwards as shown. Extend pole (3 stage pole) and secure it in place.

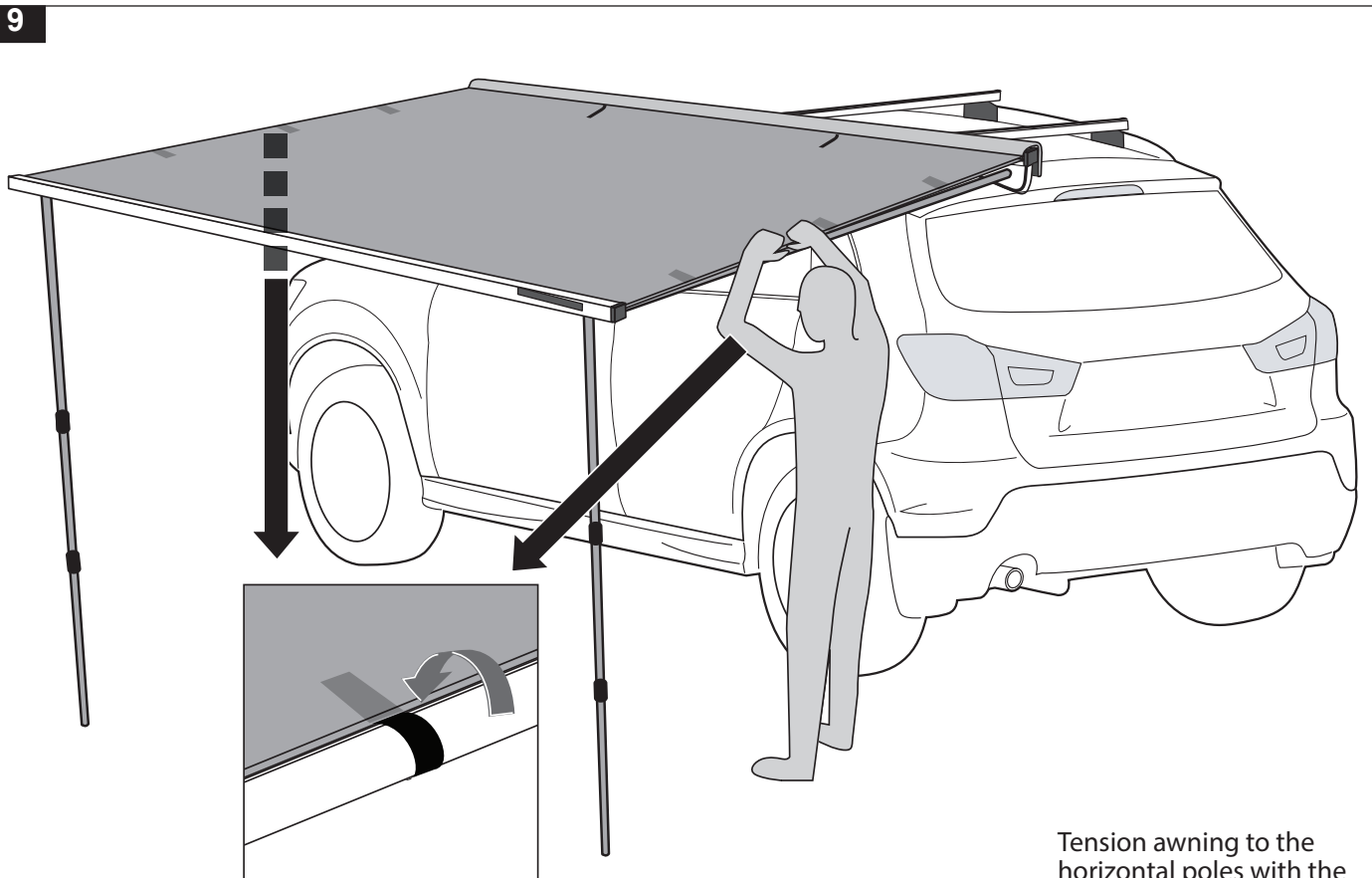
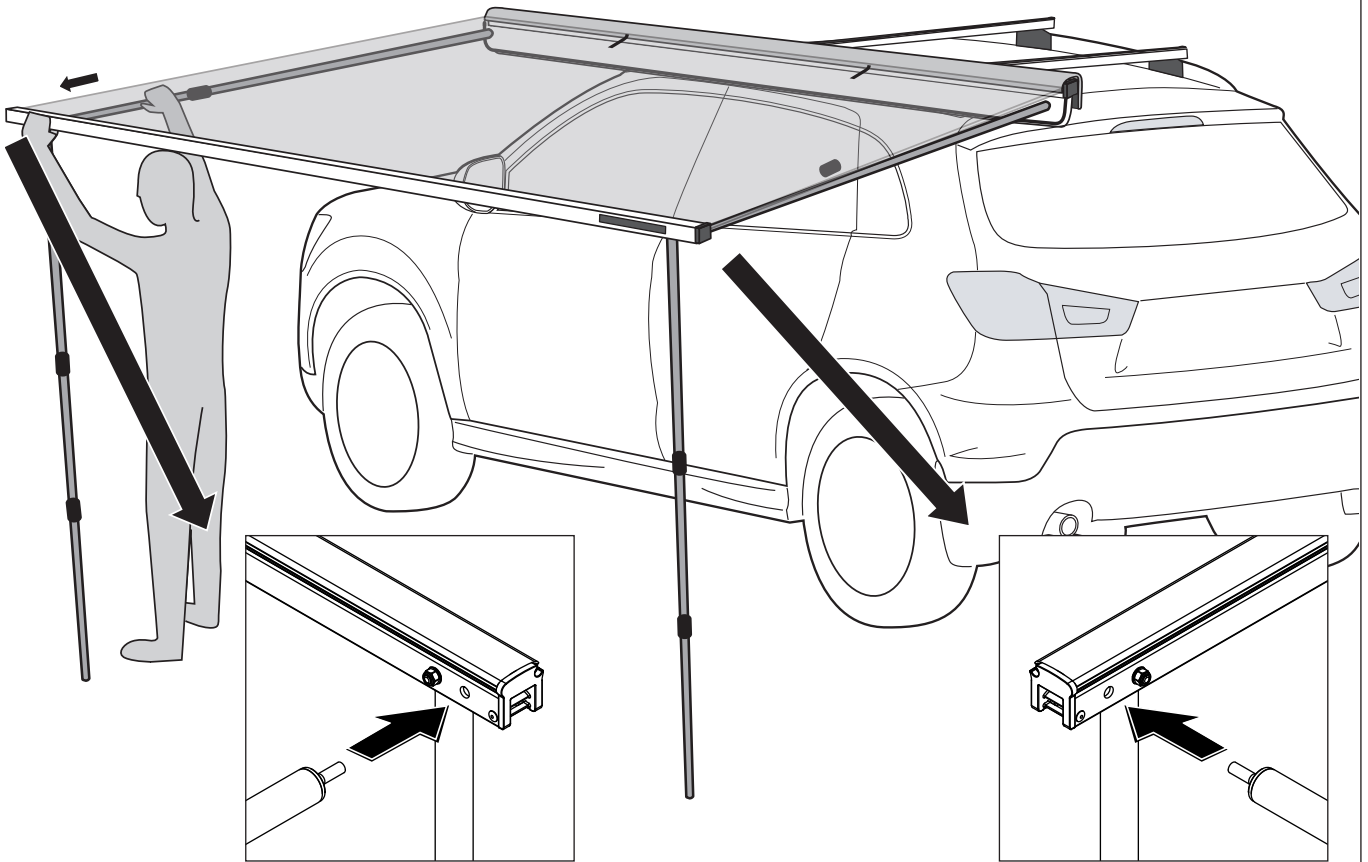
7





Rhino-Rack SUNSEEKER II Awning 2.0 metres (32109)

- 8** Extend each inner pole into the opposite bar as shown. Apply outward pressure, then twist and lock pole into position. Repeat on the other side.

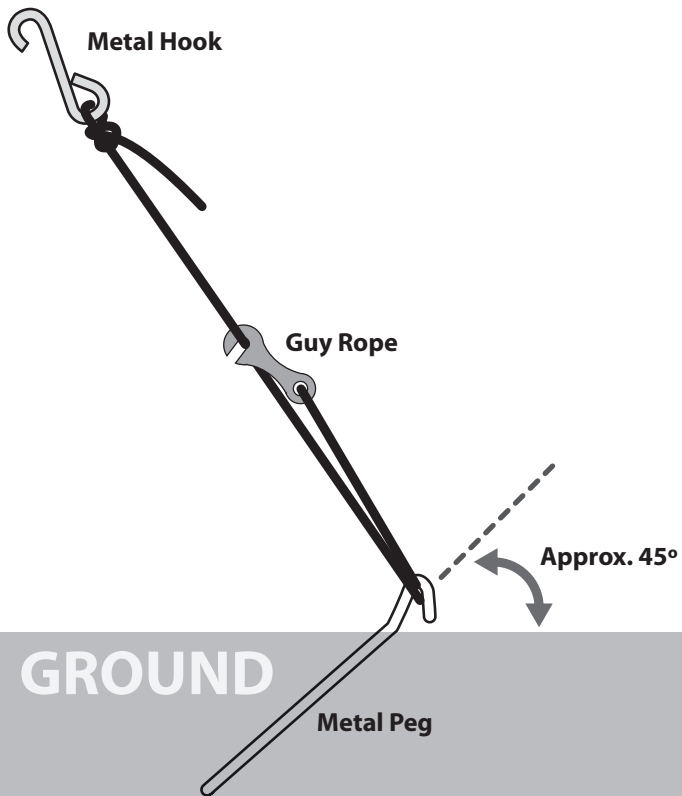


Tension awning to the horizontal poles with the velcro straps as shown.

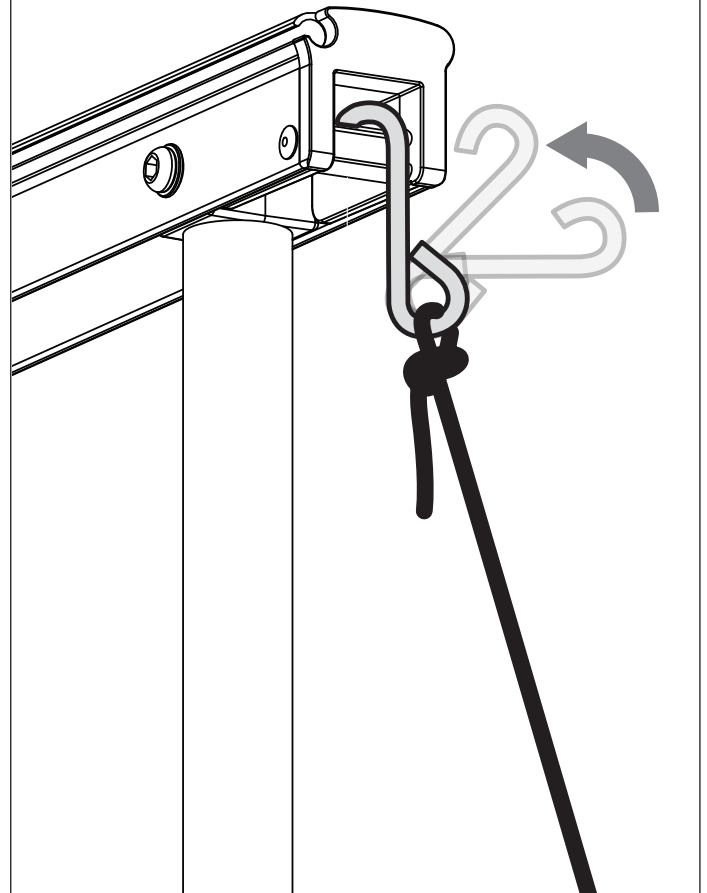


Rhino-Rack SUNSEEKER II Awning 2.0 metres (32109)

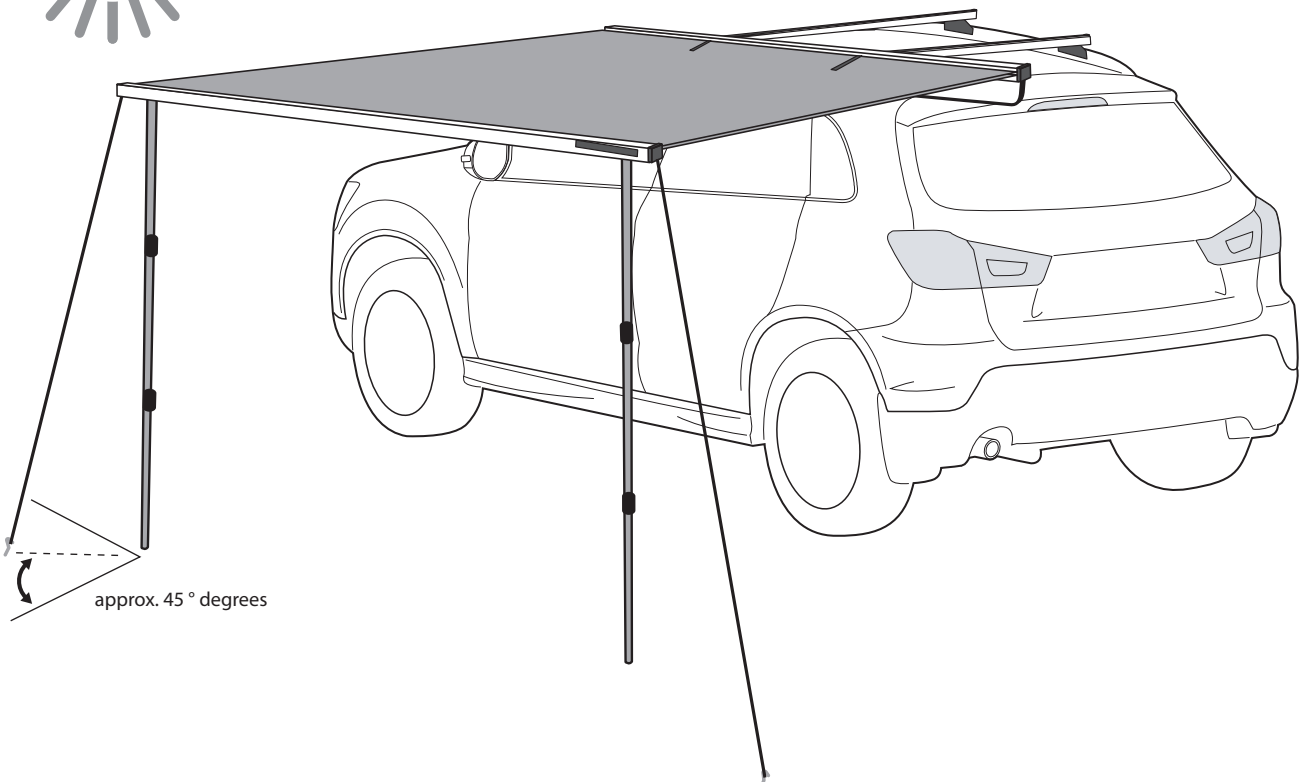
10



11



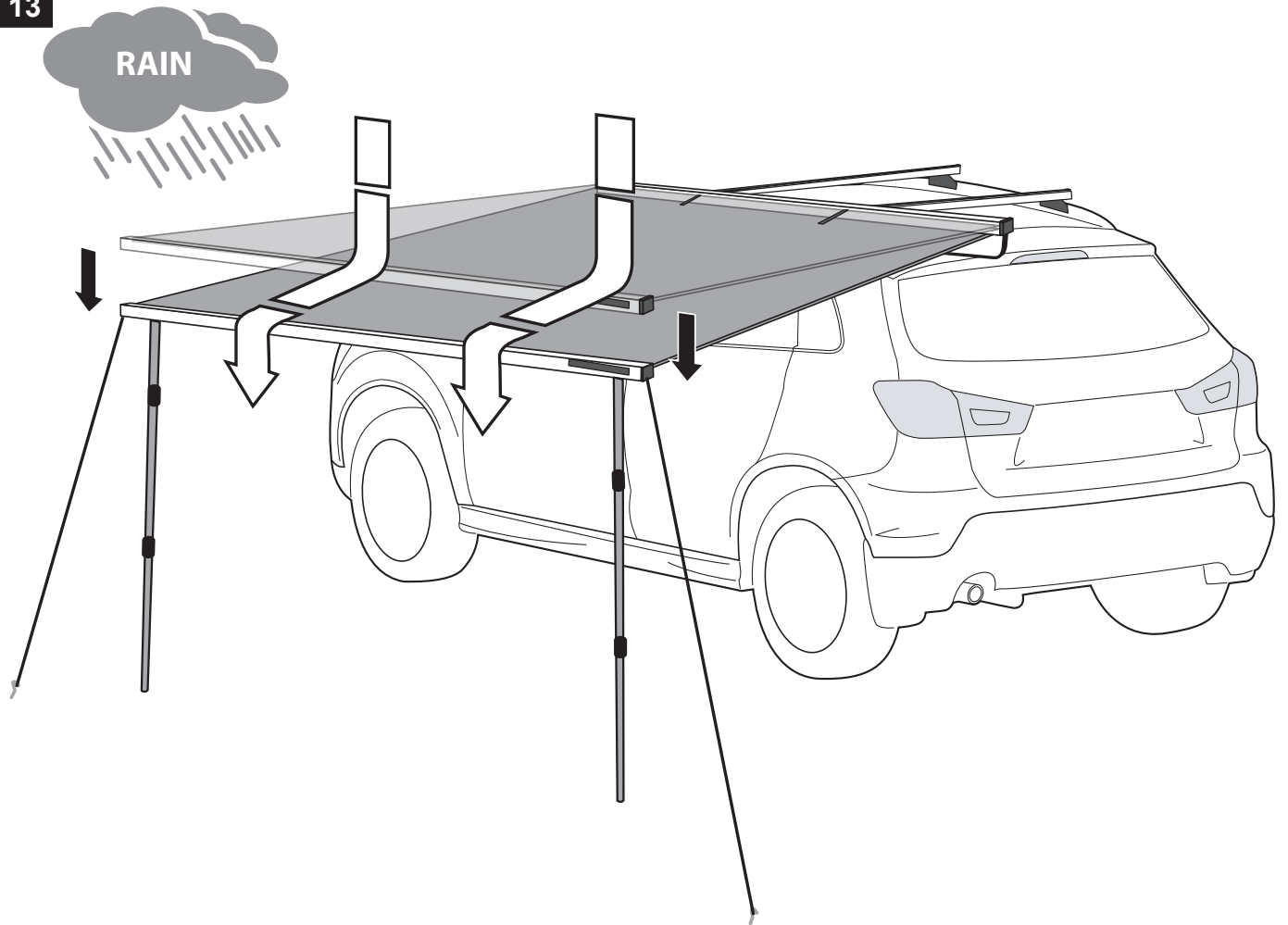
12





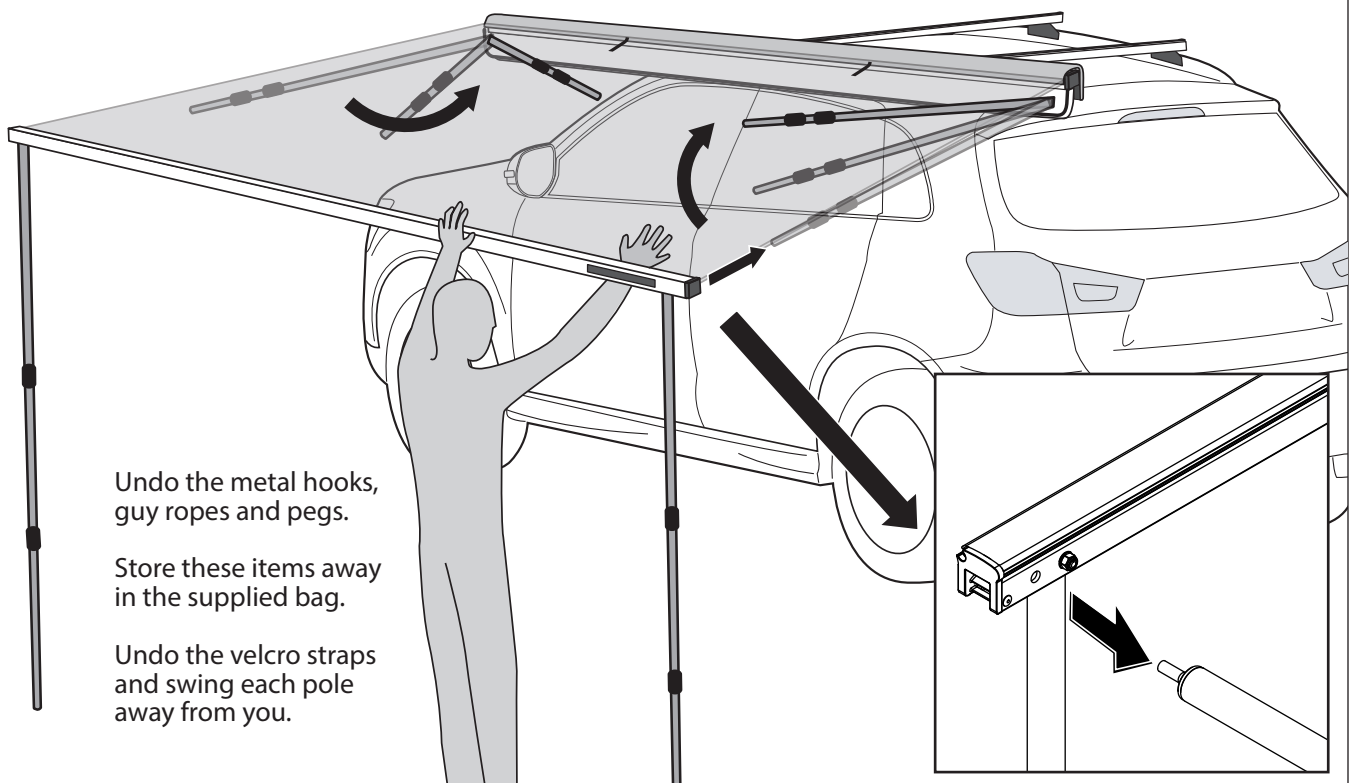
Rhino-Rack SUNSEEKER II Awning 2.0 metres (32109)

13



Storing Instruction

14



Undo the metal hooks,
guy ropes and pegs.

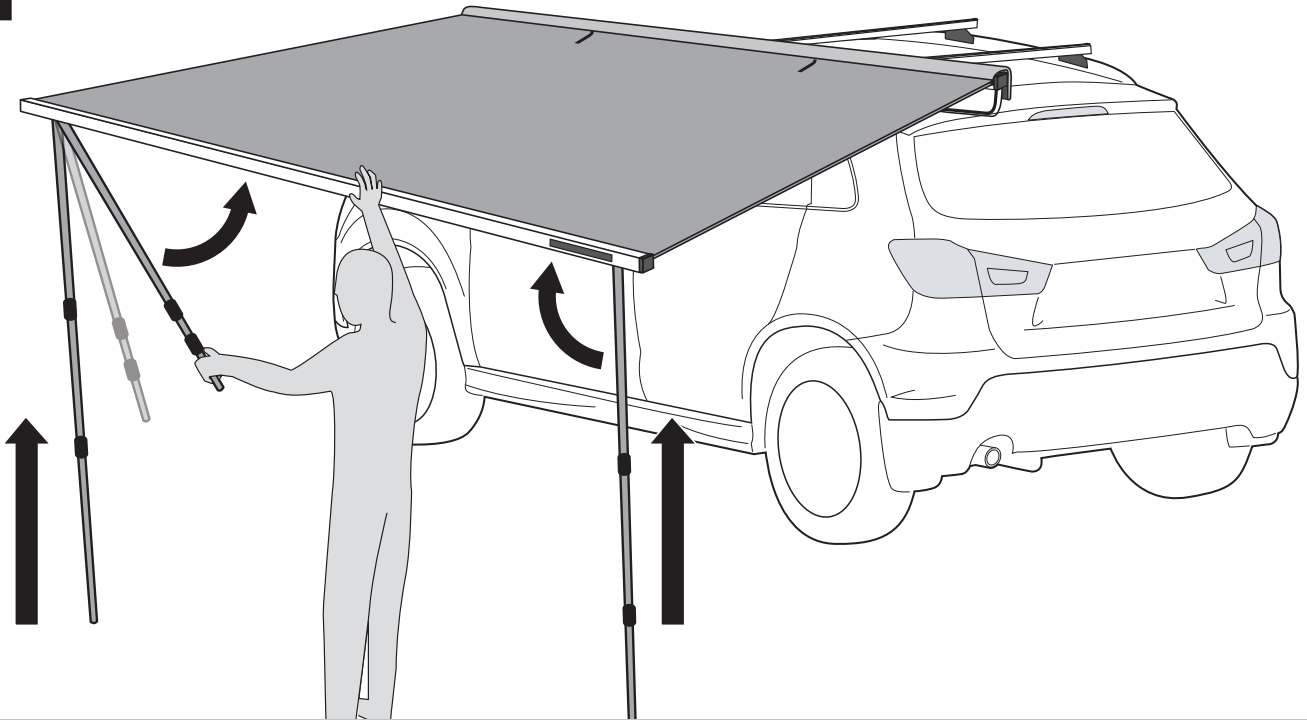
Store these items away
in the supplied bag.

Undo the velcro straps
and swing each pole
away from you.



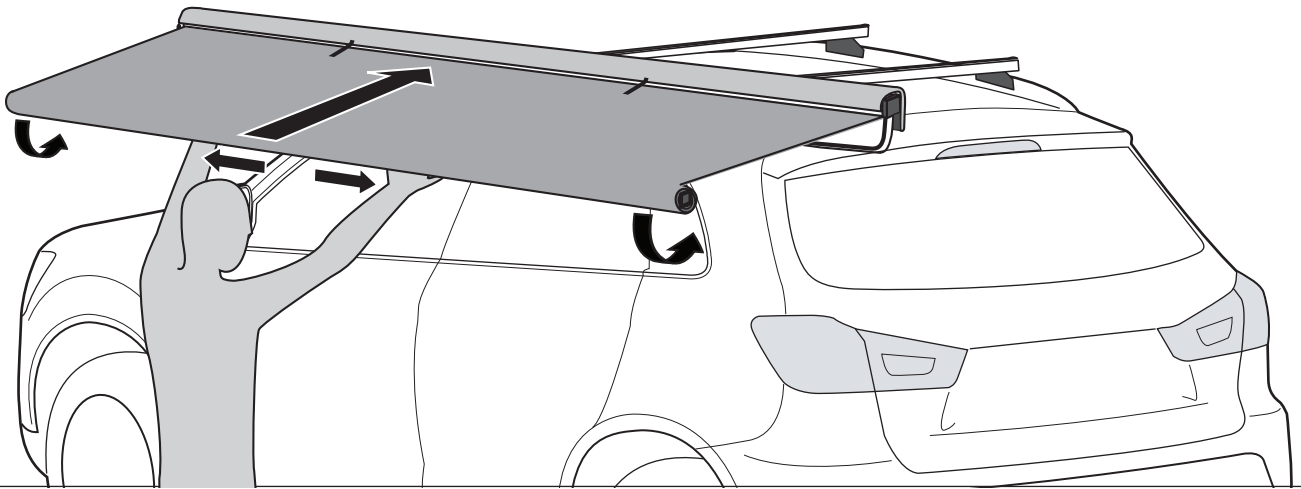
Rhino-Rack SUNSEEKER II Awning 2.0 metres (32109)

15



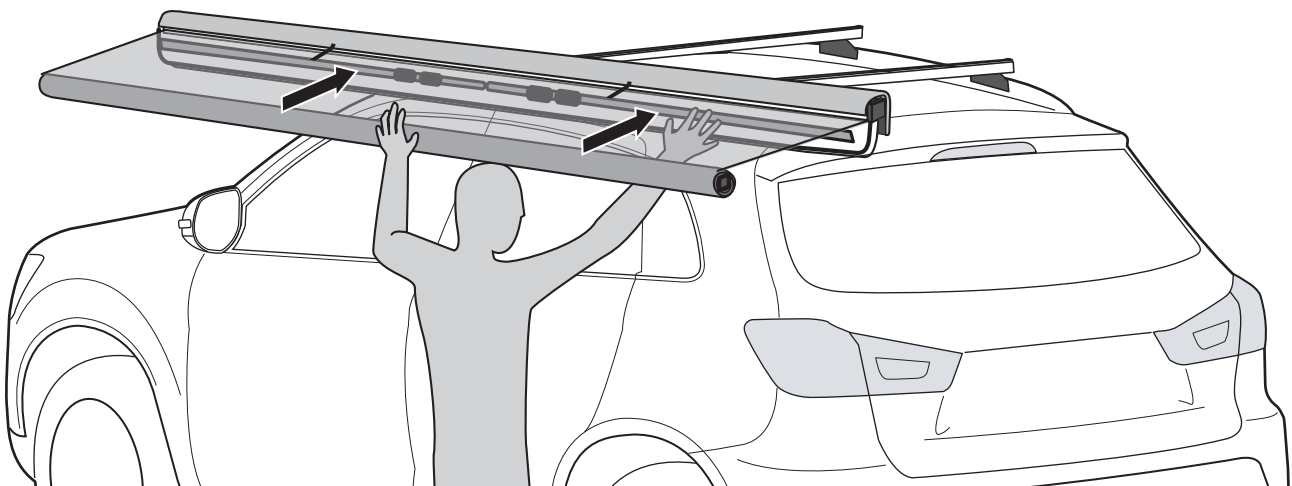
16

Place your arms wide apart and pull the fabric towards you as you roll it up. This will help to align the awning fabric and keep it rolled up neatly.



17

Push the horizontal poles into the recess in the bar. Secure awning with velcro straps.

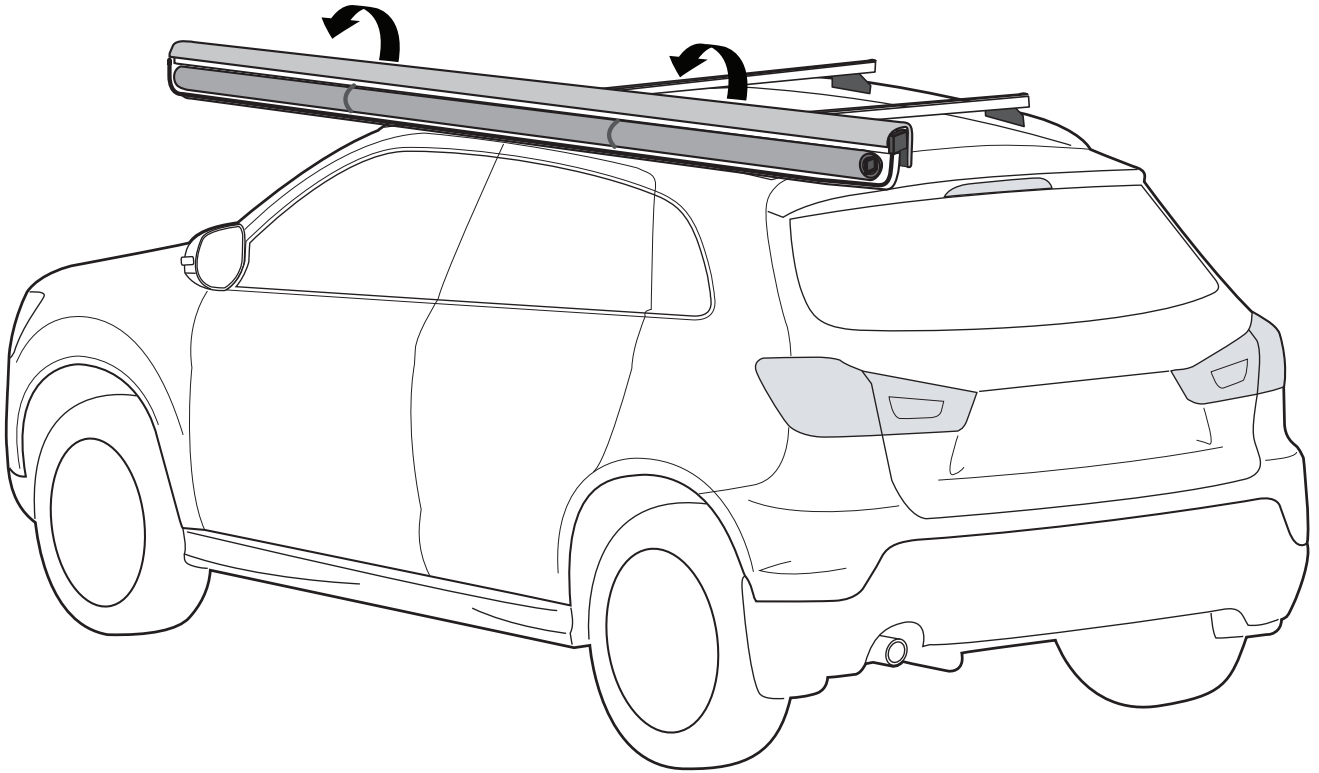




Rhino-Rack SUNSEEKER II Awning 2.0 metres (32109)

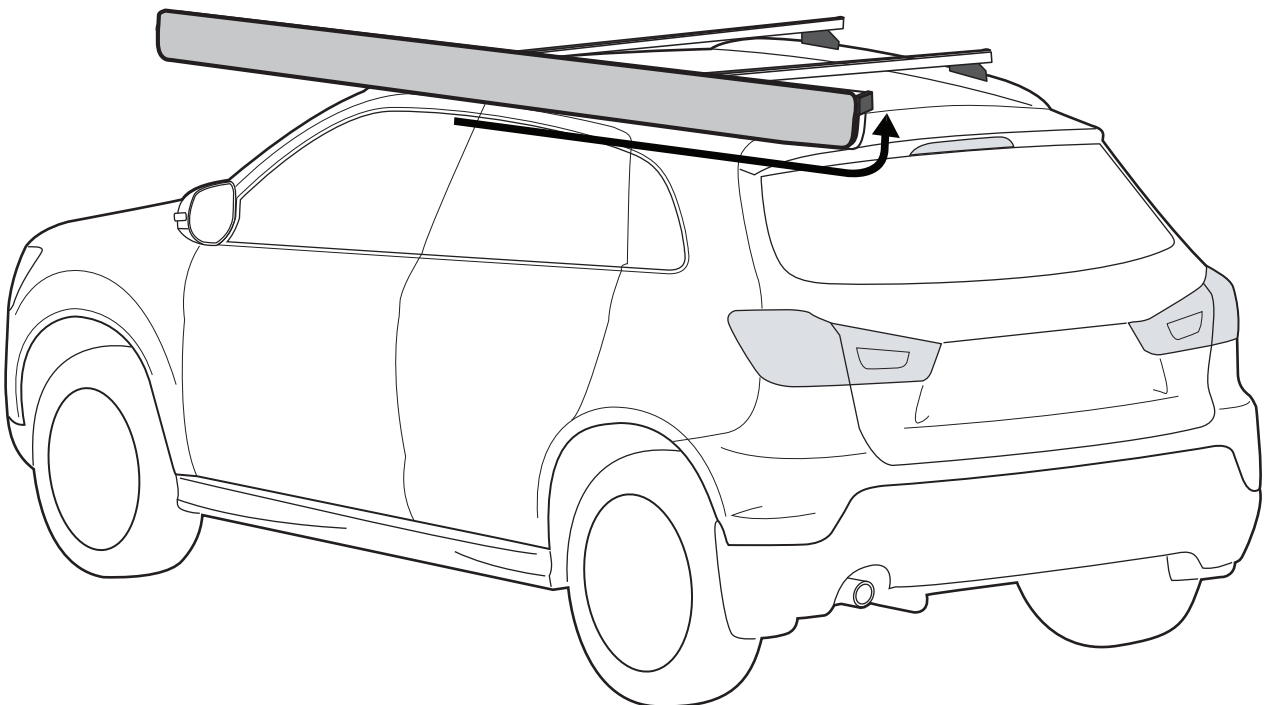
18

Place the cover over the secured awning.



19

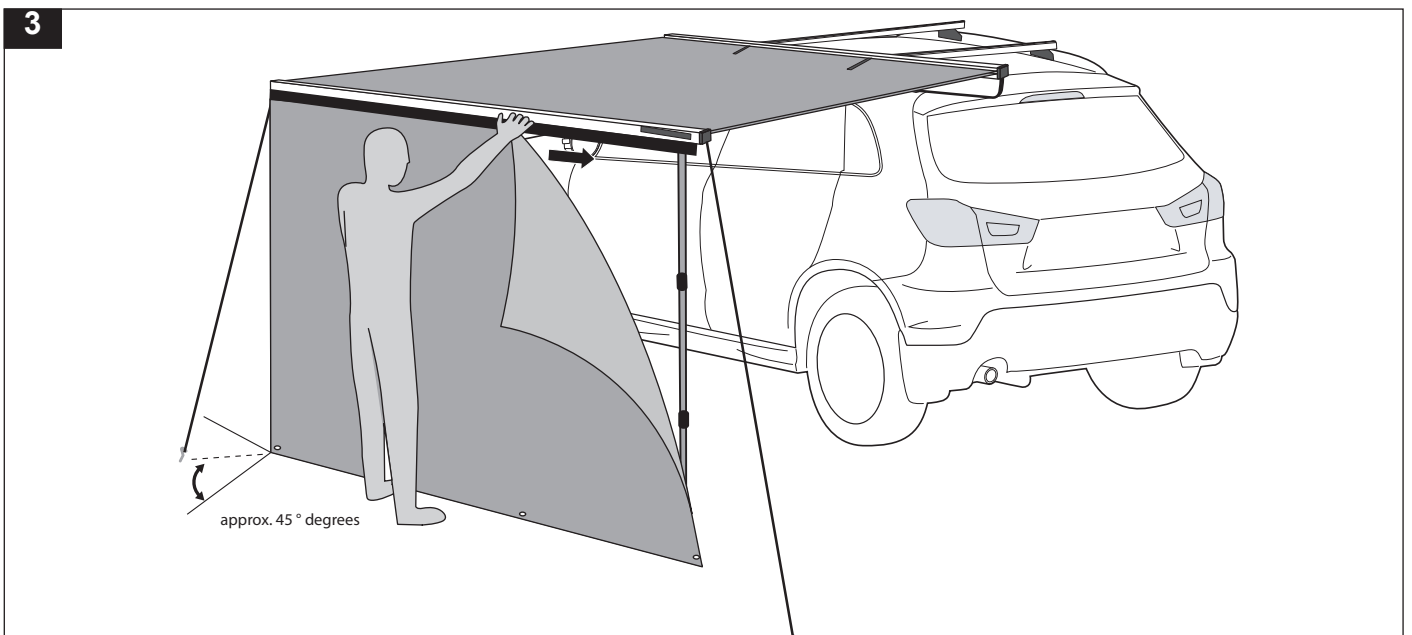
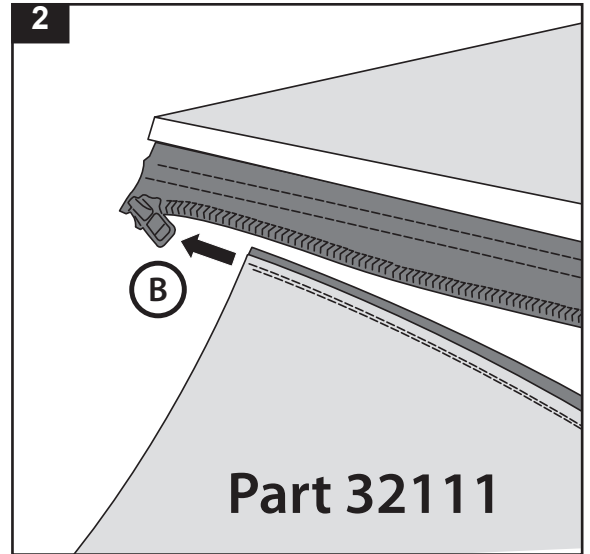
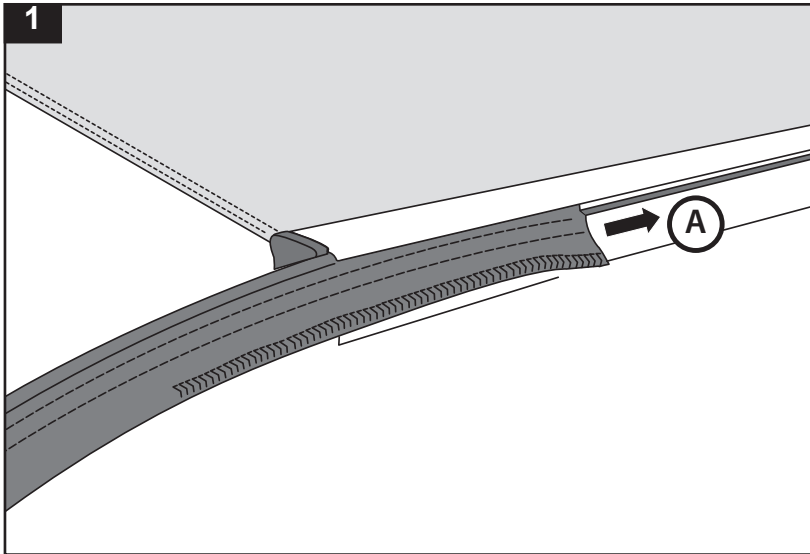
Zip up the awning when not in use.





Rhino-Rack SUNSEEKER II Awning 2.0 metres (32109)

Awning Extension Adapter (to use with SUNSEEKER II accessories)



Optional Side Wall Extension (Sold Separately)

