



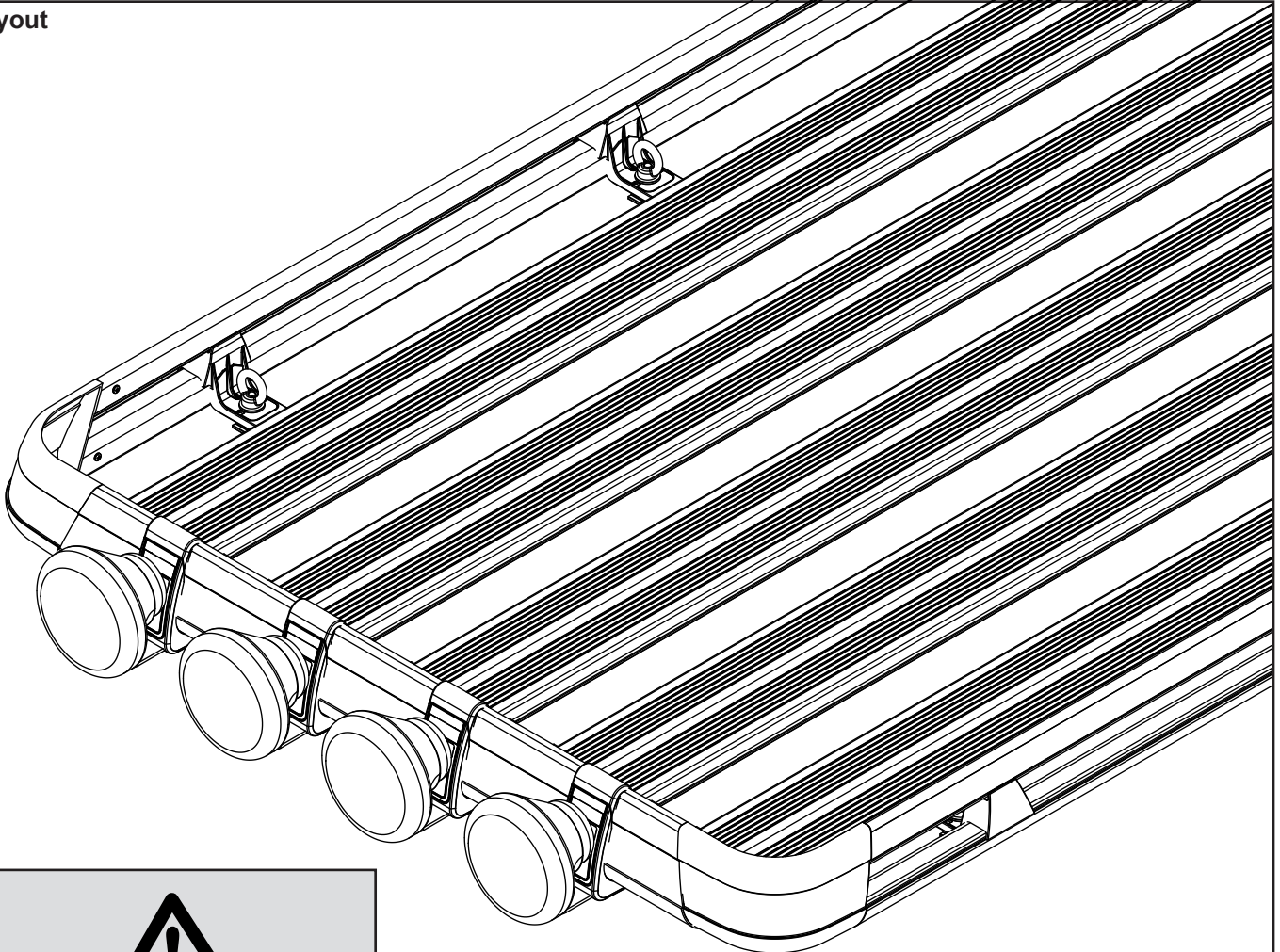
RHINO-RACK

Aerodynamic & Heavy Duty Roof Rack Systems

ATLB - Alloy Tray Light Bracket

Important: Please read these instructions carefully prior to installation.
Please refer to your fitting instruction to ensure that the light bracket is installed in the correct locations.
Check the contents of kit before commencing fitment and report any discrepancies.
Place these instructions in the vehicle's glove box after installation is complete.

Layout



**MAXIMUM LIGHT WEIGHT
3.0KG**

**NOTE: Light bracket can be
mounted on rear of tray also**

Important Information

Please remove Alloy Tray Light Bracket, Alloy Tray and Roof Racks when putting vehicle through an automatic car wash.

Note for Dealers and Fitters

It is your responsibility to ensure this fitting instruction is given to the end user or client

Rhino-Rack
3 Pike Street, Rydalmere,
NSW 2116, Australia.
(Ph) (02) 9638 4744
(Fax) (02) 9638 4822

Document No: RR232
Prepared By: Andy Wana
Authorised By: Gary England

Issue No: 01
Issue Date: 03/12/2009

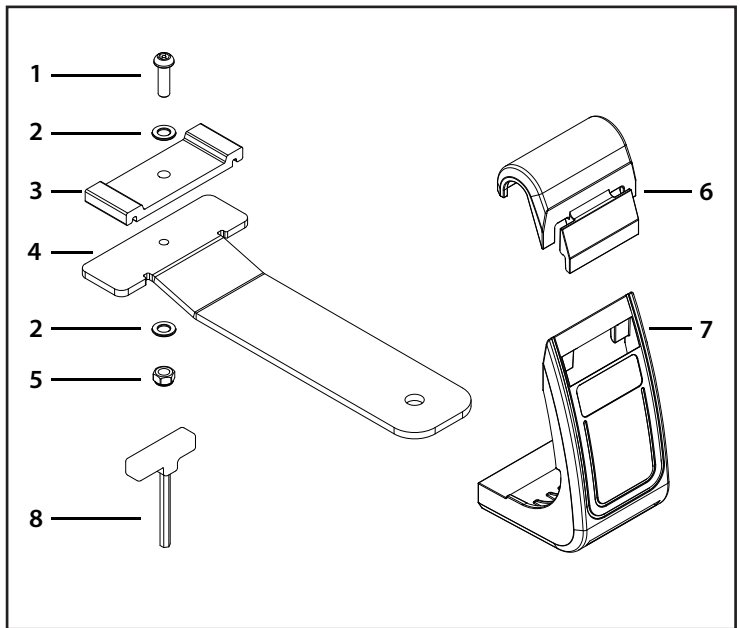
These instructions remain the property of Rhino-Rack Australia Pty Ltd and may not be used or changed for any other purpose than intended.



ATLB - Alloy Tray Light Bracket

Parts List

Item	Component Name	Qty	Part No
1	M6 X 16 Security Bolt	1	B061
2	M6 X 16 Flat Washer	2	W031
3	Clamp	1	A471
4	Plate	1	C801
5	M6 Nyloc Nut	1	N013
6	Spotlight Bracket Top	1	M476
7	Spotlight Bracket Bottom	1	M477
8	Allen Key	1	SECKEY-S
9	Fitting Instructions	1	RR232



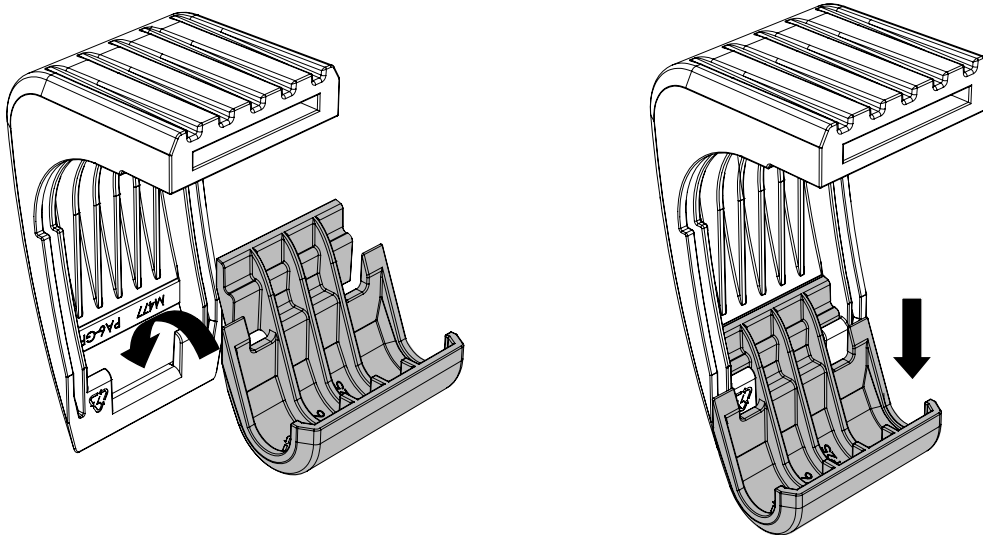
Care Instruction:

Wash and clean alloy tray prior to fitment

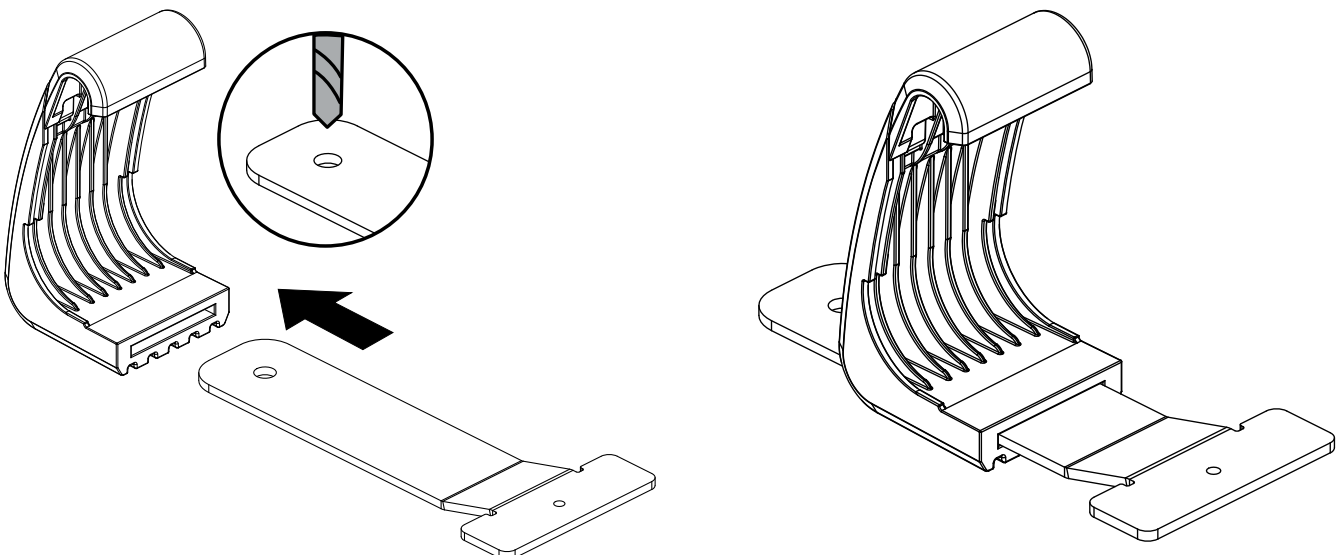
Tools Required:

10mm Spanner

1 Assemble the top and bottom light brackets.



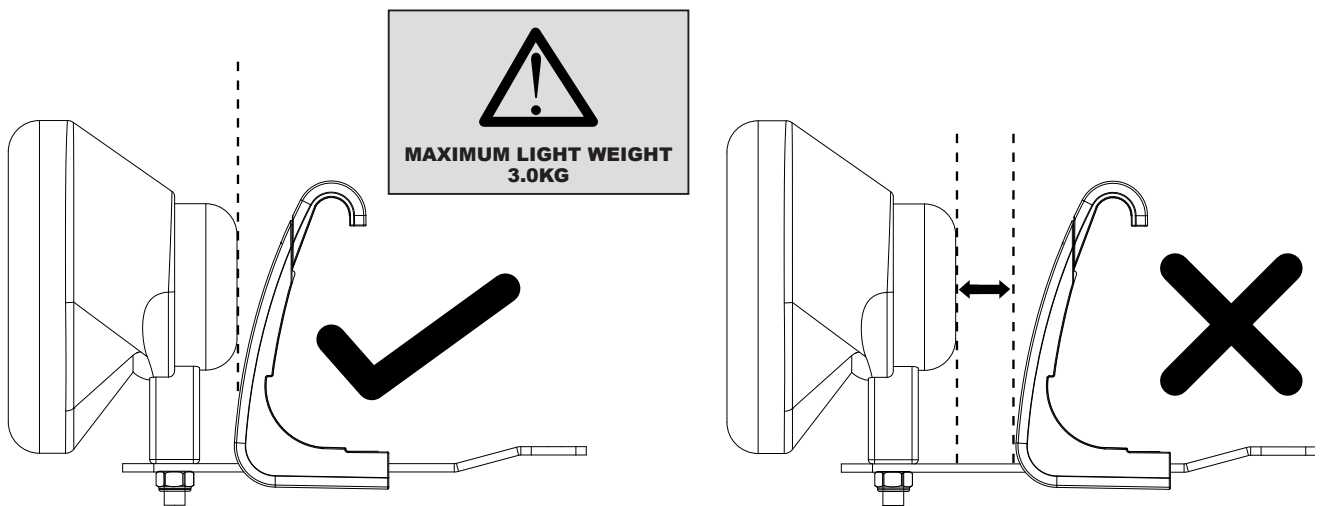
2 Check spotlight in plate before fitting. If needed, drill out existing hole and apply cold galvanise paint for rustproofing. Locate plate as shown.



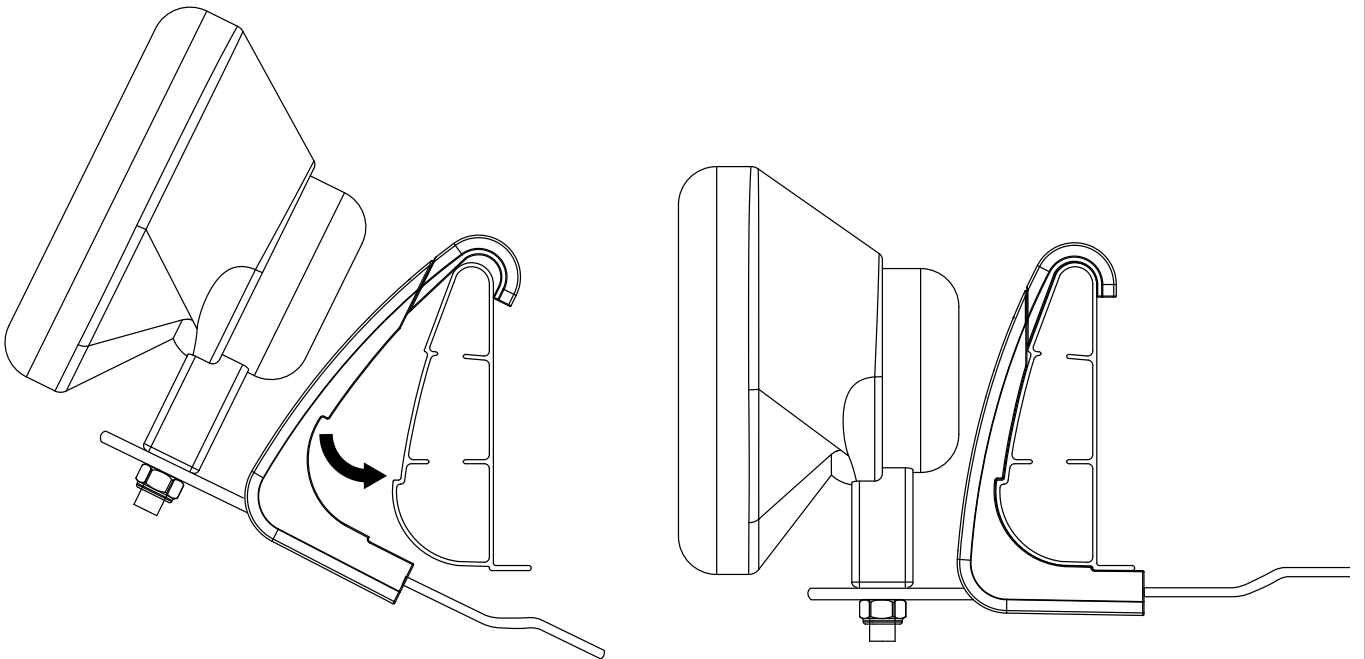


ATLB - Alloy Tray Light Bracket

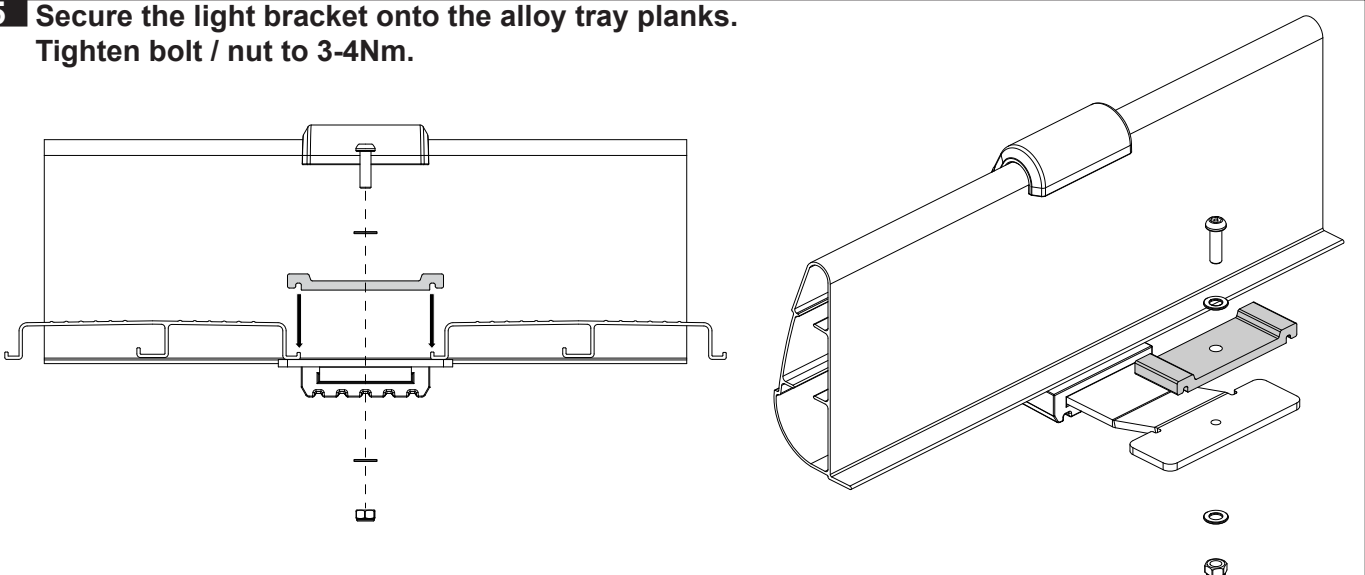
3 Mount the light onto the plate, adjust light as close as possible to the bracket as shown.



4 Hook the light bracket assembly over the alloy tray profile.



5 Secure the light bracket onto the alloy tray planks.
Tighten bolt / nut to 3-4Nm.





ATLB - Alloy Tray Light Bracket

- 6** Repeat steps 1-5 to suit application
(4 lights shown here)

