



RHINO-RACK

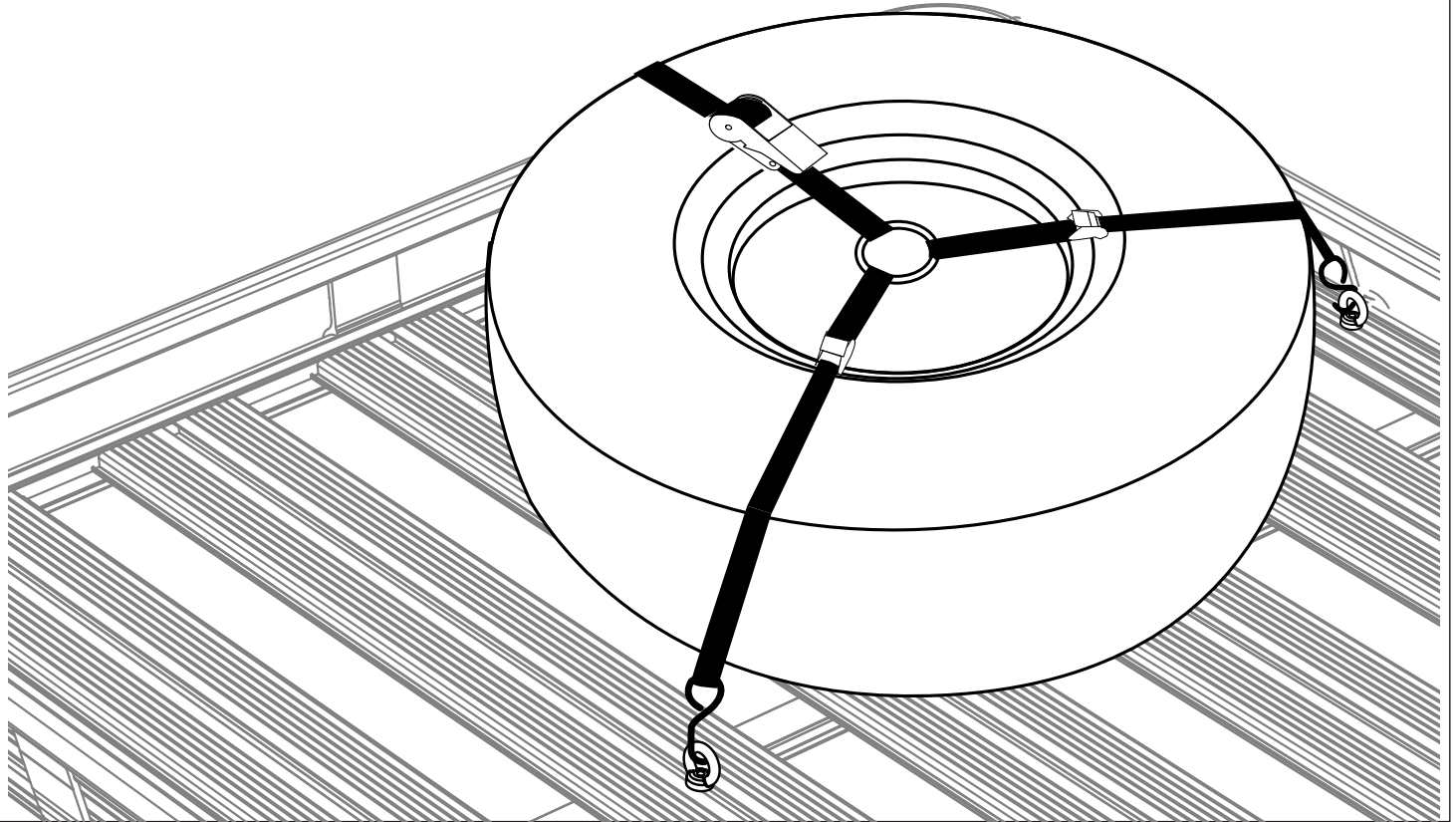
Aerodynamic & Heavy Duty Roof Rack Systems

RSWS - Rhino Spare Wheel Strap

Important: Please read these instructions carefully prior to installation.
Check the contents of kit before commencing fitment and report any discrepancies.
Clean the alloy tray prior to installation.
Place these instructions in the vehicle's glove box after installation is complete.

Layout

To suit Rhino Pioneer Alloy Tray



Important Information

150kg lashing capacity on the polyester webbing. Must not be used for lifting. Always inspect prior to use. Protect from friction and abrasion. Do not tie knots in webbing. Do not use strap if it is damaged.

Recommendations:

Use only non-stretch fastening ropes or straps. Do not overload your Rhino-Rack Alloy Tray and roof bars. Check your vehicle's roof carrying capacity. Exercise caution when driving offroad as vehicle roof height has been increased.

Caution:

The handling characteristics of the vehicle change when you transport a load on the roof. For safety reasons, we recommend exercising extreme care when transporting large wind-resisting loads; special consideration must be taken into account when negotiating corners and under braking.

Note for Dealers and Fitters: It is your responsibility to ensure instructions are given to the end user or client.

WARNING: Always use on a roof tray with side walls.

Rhino-Rack
3 Pike Street, Rydalmere,
NSW 2116, Australia.
(Ph) (02) 9638 4744
(Fax) (02) 9638 4822

Document No: R154
Prepared By: Andy Wana
Authorised By: Chris Murty

Issue No: 01
Issue Date: 28/12/2011

These instructions remain the property of Rhino-Rack Australia Pty. Ltd. and may not be used or changed for any other purpose than intended.



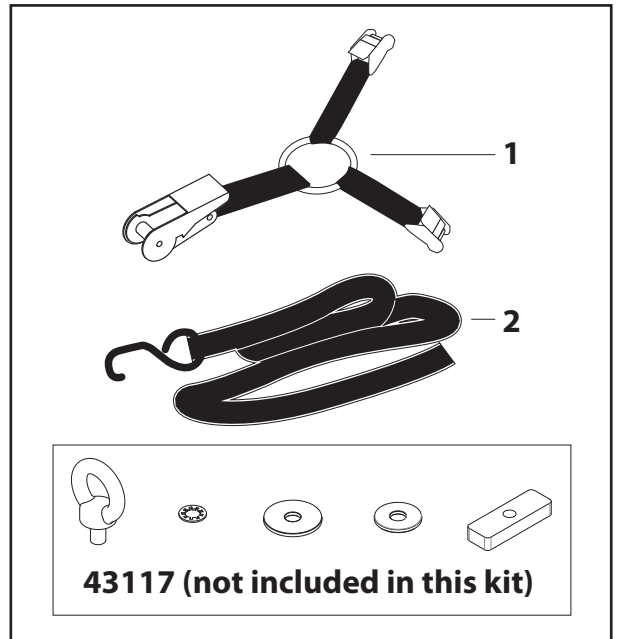
RSWS - Rhino Spare Wheel Strap

Parts List

Item	Component Name	Qty	Part No
1	Spare Wheel Strap 3 Way	1	CA1085
2	Strap 1.3m	3	
3	Fitting Instruction	1	R154

Tools Required: 13mm Spanner, Screwdriver (for leverage)

To be used with the Eye Bolt Kit 43117 (not included)



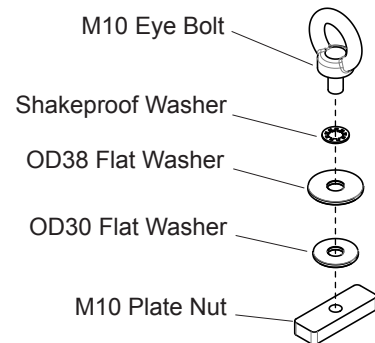
Instructions

1 Assemble Hardware (43117 not included in this kit)

Assemble hardware as shown with the thread of the eye bolt engaging only 2-3 turns.

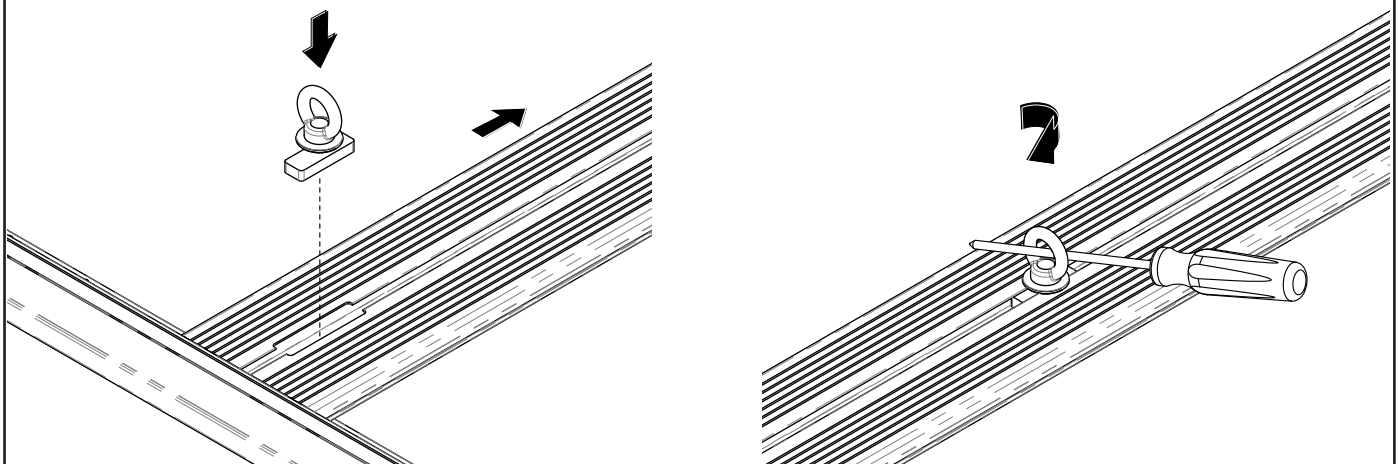


Assembled View



2 Fit Eye Bolt to Plank

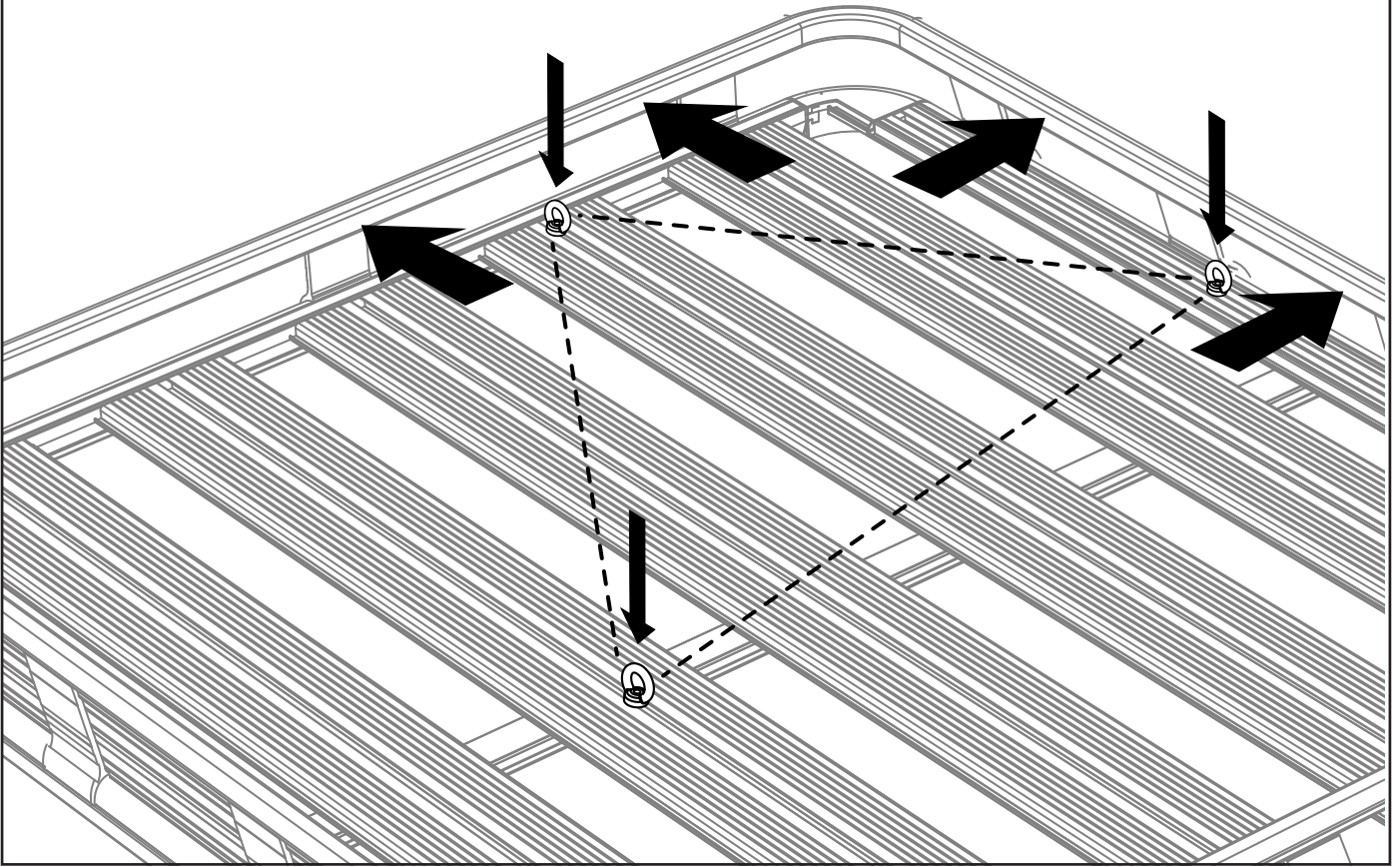
Lower the eye bolt assembly into the slot at the front of the plank as shown, the plate nut should be sitting within the C channel of the plank. Slide the eye bolt along the plank to the desired position. Secure the eye bolt in place by sliding a screwdriver through the eye of the bolt and rotate clockwise to tighten.





RSWS - Rhino Spare Wheel Strap

3



4

Position tyre up against 2 edges
Adjust 2 cam buckles to align the ring in the centre, then tighten via ratchet

