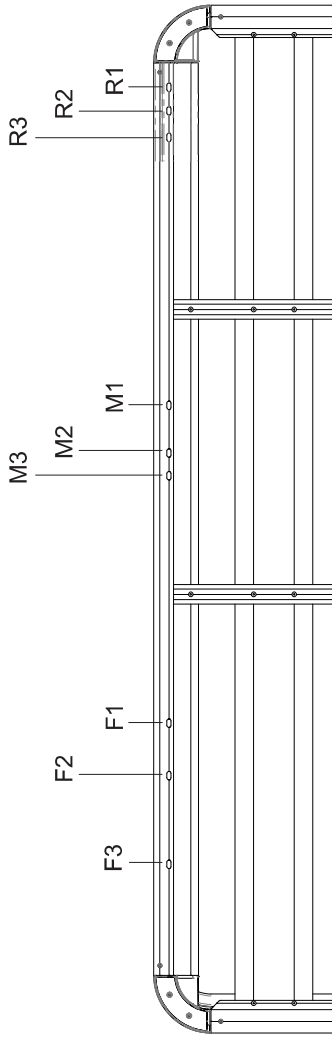
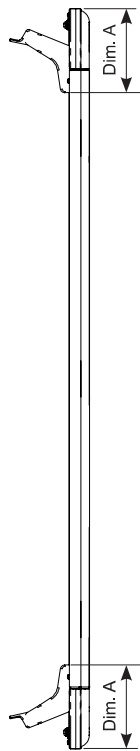




# Pioneer Tray, Pioneer Platform & Pioneer Tradie

## Fitting Chart

**PIONEER 41104** (1330 x 2000mm - Internal)  
**PIONEER 42104B** (1426 x 2128mm)  
**PIONEER 45104B** (1426 x 2128mm)



Front of Tray

Make	Model	Front Crossbar			Middle Crossbar			Rear Crossbar			Approx. Overall Vehicle Height	4th Crossbar Kit Required (43128)
		Front Slot	Dim. A	LHS	Middle Slot	Dim. A	LHS	Rear Slot	Dim. A	LHS		
Toyota	LC 80 Series (05/90 - 03/98)	F3	146 mm	-	M3	148 mm	-	R3	153 mm	LHSPAIR		
Toyota	90 Series Prado (07/96 - 02/03)	F3	172 mm	-	M3	180 mm	-	R3	186 mm	LHS2PAIR		
Toyota	LC 100 Series (03/98 - 10/07) *	F2		-	M2		-	R2		-		
	Landcruiser (1988 - 2007) *											
Toyota	LC 200 Series (11/07 - on)	F1		-	M1		-	R1		-		Yes
	Landcruiser (2008 - on)											
Toyota	76 Series Wagon (03/07 - on)	F3		-	M3		-	R2		-		
Toyota	75 Series Troopcarrier (85-99)	F3	130 mm	-	M3	130 mm	-	R1	130 mm	-		
Toyota	78 Series Troopcarrier (01/99 - on)	F3	130 mm	-	M3	130 mm	-	R2	130 mm	-		

Continued Next Page

\* **100 Series & LX470 with dust deflector fitted:**

100 Series & LX470 with tailgates that lift up and are fitted with a dust deflector. New crossbar positions must be drilled 53mm back (towards rear of tray) from the centre of the slot positions detailed above. Drill Diameter 8.5mm holes in place of the slots.



## Pioneer Tray, Pioneer Platform & Pioneer Tradie

### Fitting Chart

**PIONEER 41104** (1330 x 2000mm - Internal)  
**PIONEER 42104B** (1426 x 2128mm)  
**PIONEER 45104B** (1426 x 2128mm)

Make	Model	Front Crossbar			Middle Crossbar			Rear Crossbar			Approx. Overall Vehicle Height	4th Crossbar Kit Required (43128)
		Front Slot	Dim. A	LHS	Middle Slot	Dim. A	LHS	Rear Slot	Dim. A	LHS		
Land Rover	Discovery 3 & 4 (04/05 - on)	Refer Supplement Sheet			Refer Supplement Sheet			Refer Supplement Sheet			1945	
	LR3 & LR4 (2005 - on)											
Toyota	FJ Cruiser (03/11 - on)	Refer Supplement Sheet			Refer Supplement Sheet			Refer Supplement Sheet				
	FJ Cruiser (2006 - on)											
Hyundai	i-Load (02/08 - on)	F3		LHSPAIR	M3		-		R1		LHSPAIR	
Land Rover	Discovery 1&2 (03/91 - 03/05)	F3		PLHSPAIR	M3		PLHSPAIR		R1		PLHSPAIR	
	LX470 (05/98 - 03/08) *	F2		-	M2		-		R2		-	
Lexus	LX Series (1998 - 2007) *	F1		-	M1		-		R1		-	Yes
Nissan	Patrol GU (12/97 - on)	F3	163 mm	LHSPAIR	M3	168 mm	-		R3	168 mm	-	
VW	Transporter (08/04 - on)	Refer Supplement Sheet			Refer Supplement Sheet			Refer Supplement Sheet				

Continued from previous page

**\* 100 Series & LX470 with dust deflector fitted:**

100 Series & LX470 with tailgates that lift up and are fitted with a dust deflector. New crossbar positions must be drilled 53mm back (towards rear of tray) from the centre of the slot positions detailed above. Drill Diameter 8.5mm holes in place of the slots.