



RHINO-RACK

CONTROLLED

Fit Kit for RLT600 RJKB1 to suit Pioneer Tray (PLHS4)

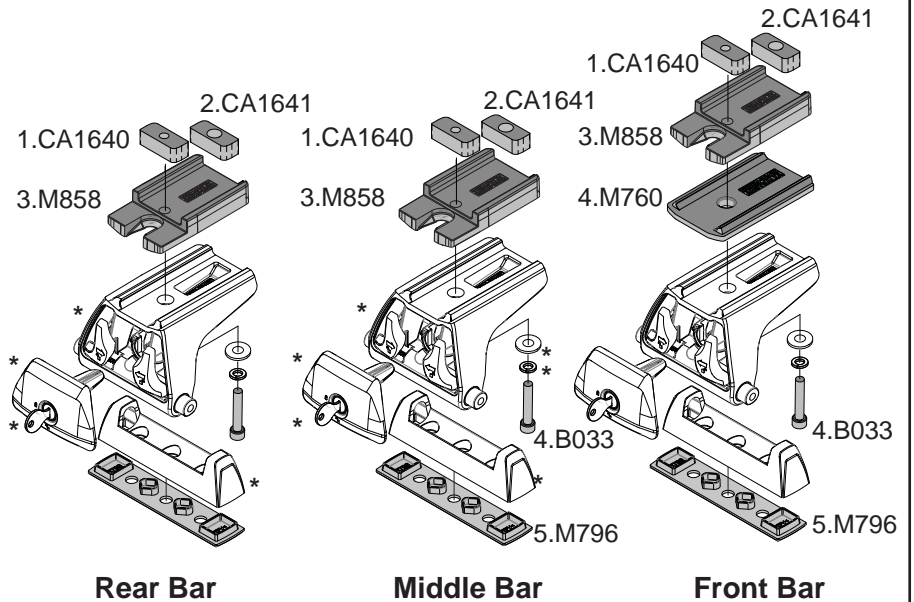
Parts List			
1	M6 Rotating Plate Nut	6	CA1640
2	M8 Rotating Plate Nut	6	CA1641
3	Pioneer Leg Spacer	6	M858
4	Quick Mount VA 5mm Spacer	2	M760
5	M6 x 40mm Socket Screw	6	B033
6	RLT600 Flat Base	6	M796
7	Instructions	1	R682

***Note:**

RLT600 Parts as separate.
Fix the Quick Mount Spacer to the Leg using the hardware in the leg kit. The bolts found in the spacer kit will replace the original in the leg kit.

Tools Required:

5mm Allen Key



Rear Bar

Middle Bar

Front Bar

Document No: R682

Prepared By: Kayle Everett Issue No: 06

Authorised By: Chris Murty

Issue Date:22/07/2016



RHINO-RACK

CONTROLLED

Fit Kit for RLT600 RJKB1 to suit Pioneer Tray (PLHS4)

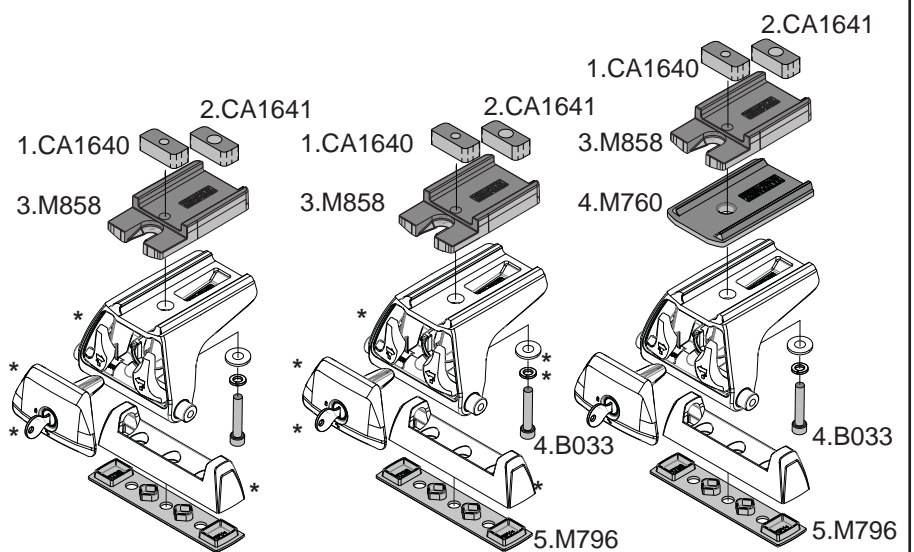
Parts List			
1	M6 Rotating Plate Nut	6	CA1640
2	M8 Rotating Plate Nut	6	CA1641
3	Pioneer Leg Spacer	6	M858
4	Quick Mount VA 5mm Spacer	2	M760
5	M6 x 40mm Socket Screw	6	B033
6	RLT600 Flat Base	6	M796
7	Instructions	1	R682

***Note:**

RLT600 Parts as separate.
Fix the Quick Mount Spacer to the Leg using the hardware in the leg kit. The bolts found in the spacer kit will replace the original in the leg kit.

Tools Required:

5mm Allen Key



Rear Bar

Middle Bar

Front Bar

Document No: R682

Prepared By: Kayle Everett Issue No: 06

Authorised By: Chris Murty

Issue Date:22/07/2016