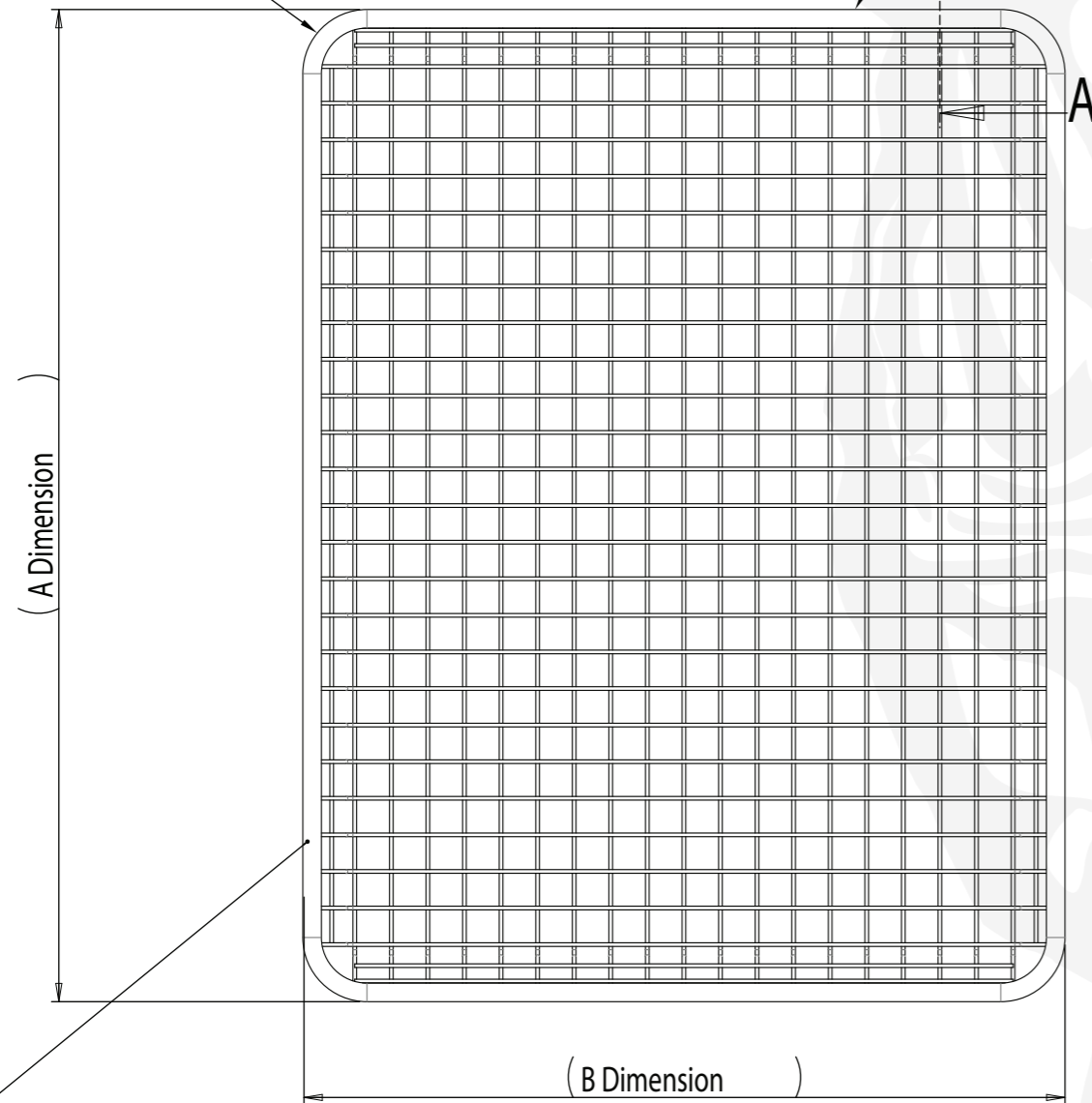


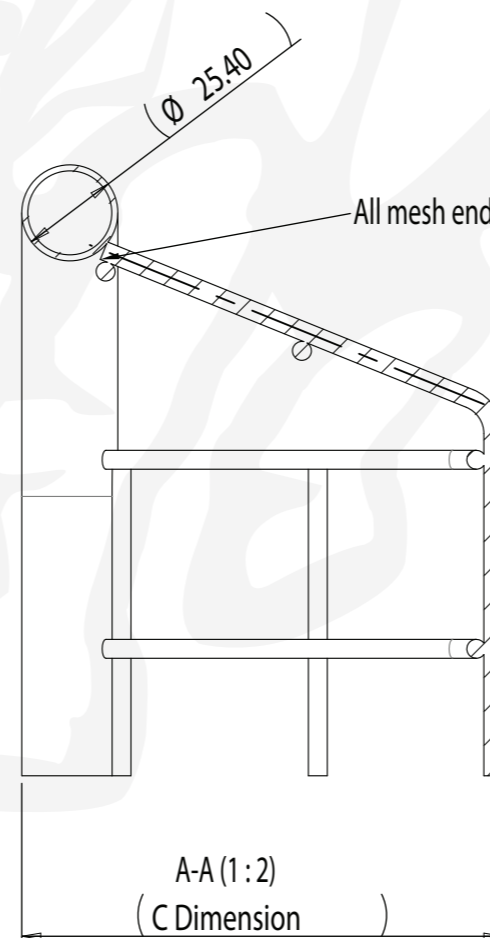
Corner radii to suit mesh type and bending process.

Top tube to be one piece with a spigot type welded joint.



DIMENSION B IS TO BE CONSISTENT ALONG DIMENSION A

Basket Dimensions							Mesh Type	Note:- the outside dimensions of the basket may vary to suit the Mesh type
Basket Type	Dim A	Dim B	Dim C	Dim D	Dim E			
RLBS ( C 003 )	1245	940	120	1160	870	50 x 50 x 4mm Dia		
RLBM ( C 002 )	1340	1070	125	1240	1000	50 x 50 x 5mm Dia		
RLBL ( C 001 )	1590	1205	150	1520	1120	50 x 50 x 5mm Dia		
RLBH ( C 044 )	1500	650	120	1415	590	50 x 50 x 5mm Dia		
RLBXL ( C 084 )	1890	1250	150	1820	1160	50 x 50 x 5mm Dia		
RLBN ( C 618 )	2205	460	120	2100	340	50 x 50 x 5mm Dia		
RLBHL ( C 627 )	2205	650	120	2100	590	50 x 50 x 5mm Dia		



Material:- Steel tube & mesh  
Finish:- 9um Zinc plated & Black Powder Coating twice