

Jeep, Truck & SUV Winches: ZEON 10-S



WARN® ZEON™ 10-S

10,000 lbs. of cutting-edge pulling muscle

Choose your way to conquer the terrain. The ZEON 10-S is tough enough to tackle anything you will, with a look that is advanced, capable and strong. Muck-busting sealing keeps out everything but the good times. Add a hyper-durable cast-aluminum housing, satin-black finish, and 10,000 lbs. single-line pulling capacity and, well, you've got a workhorse unit you can trust for years to come.

- 10,000 lb. (4536 kg) single-line pulling capacity.
- Includes 100' of 3/8" WARN Spydura synthetic rope, a temperature-resistant sleeve on the first layer, a ballistic nylon sliding sleeve for abrasion resistance, and a polished aluminum hawse fairlead
- Convertible control pack can be attached to the winch or remotely mounted, allowing for various winch mounting options and looks. (Relocation kit required and sold separately*)
- New-design planetary gear train and series-wound motor deliver fast, quiet, and reliable pulling power.
- Satin-black powder-coated finish with stainless steel fasteners and clutch lever looks great and inhibits corrosion. Improved winch sealing to keep the elements out.
- Large diameter winch drum reduces rope wear, is light weight, and has an integrated rope anchor for easy rope installation.
- Backed by the WARN Limited Lifetime Warranty

*Control Pack Relocation Kit. Required to mount control box remotely from winch. PN 89970 (Short kit), PN 89960 (Long kit)

ZEON 10-S SPECS/PART NUMBER

Part number: 89680 (for International sales only)

Rated line pull: 10,000 lbs. (4536 kg) single-line

Motor: 12V DC, series wound

Electrical controls: Contactor

Remote Control: Remote switch, 12' (3.7m) lead

Geartrain: 3-stage planetary

Gear ratio: 216:1

Clutch (freespooling): Rotating ring gear

Brake: Automatic mechanical cone

Drum diameter/Length: 3.15"/9.0" (80mm/229mm)

Weight (kit shipping): 75 lbs. (34 kg)

Rope: 3/8" x 100' (9.5mm x 30.5m) Spydura synthetic

Fairlead: Hawse

Recommended Battery: 650 CCA minimum for winching

Battery leads: 2 gauge, 72" (1.83m)

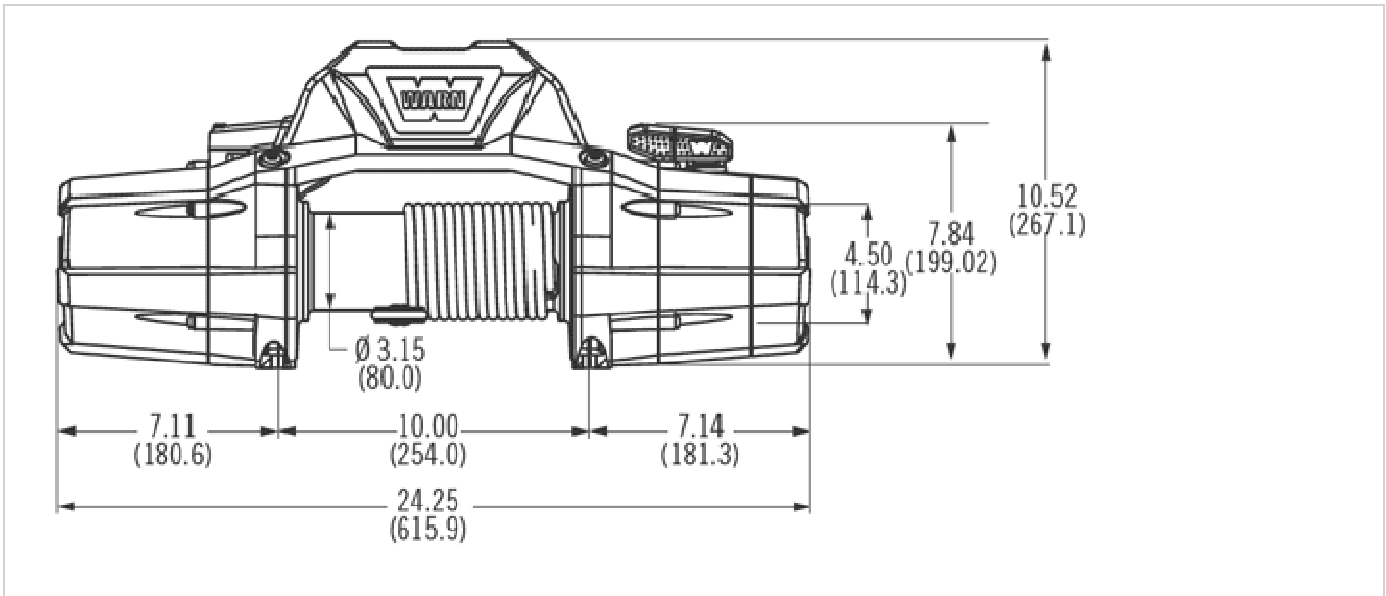
Finish: Satin-black powder coat

Warranty: Limited lifetime

12V DC PERFORMANCE SPECS

Line Pull Lbs.(Kgs.)	Line Speed FT./min(M/min.)	Motor Current	Pull by layer layer/Lbs(Kgs.)
0	33 (10.27)	62 amps	1/10000 (4536)
2000 (910)	14.9 (4.5)	144 amps	2/8245 (3740)
4000 (1810)	11.2 (3.4)	215 amps	3/7014 (3181)
6000 (2720)	8.5 (2.6)	380 amps	4/6103 (2768)
8000 (3630)	6.5 (2.0)	353 amps	
10000 (4536)	4.8 (1.5)	409 amps	

Above performance specs are based on first layer of drum



Winch Dimensions:

Integrated configuration: 24.25" L x 7.15" D x 10.52" H

(615.9mm L x 181.6mm D x 267.1mm H)

Low-profile configuration: 24.25" L x 7.15" D x 7.84" H

(615.9mm L x 181.6mm D x 199.02mm H)

Mounting Bolt Pattern: 10.0" x 4.5" (254mm x 114.3mm)