

Jeep, Truck & SUV Winches: M6000



WARN® M6000

The perfect winch for light sport utility vehicles

Medium- to light-duty winch with big ideas. A compact 6,000 lb. winch with a fast line speed of 10 ft. per minute full-load pull rate. 4.8hp Series Wound motor delivers big torque and power.

- Premium Series winch that delivers classic design, proven performance, and legendary WARN reliability
- Low-profile design will fit most trucks and SUVs
- Separate control pack for various mounting options
- Exclusive brake design provides superior control while winching
- Durable 3-stage planetary geartrain for smooth, reliable, operation
- Series-wound, high-speed motor provides fast line speed and strong pulls
- Remote control with 12' (3.7m) lead
- 80' of 5/16" (24m of 8mm) diameter wire rope

M6000 SPECS/PART NUMBERS

Part Number: 45880 (12V)

Part Number: 465052 (24V) *Contact WARN Customer Service for Availability*

Rated line pull: 6000 lbs. (2720 kgs.) single-line

Motor: Series Wound, 12V 4.8 hp, 24V 2.1 hp

Electrical controls: Contactor

Remote Control: Remote switch, 12 ft (3.7m) lead

Geartrain: 3-Stage Planetary

Gear ratio: 156:1

Clutch (freespooling): Sliding Ring Gear

Brake: Automatic Direct Drive Cone

Drum diameter/Length: 2.5 in/9.0 in (6.4cm/23cm)

Weight: 74 lbs. (34kgs.)

Wire rope: 80 ft, 5/16 in diameter (24m, 8mm diam.)

Fairlead: Roller

Recommended Battery: 650 CCA minimum for winching

Battery leads: 2 gauge, 72 in (1.83m)

Finish: Argent Gray Powder Coat

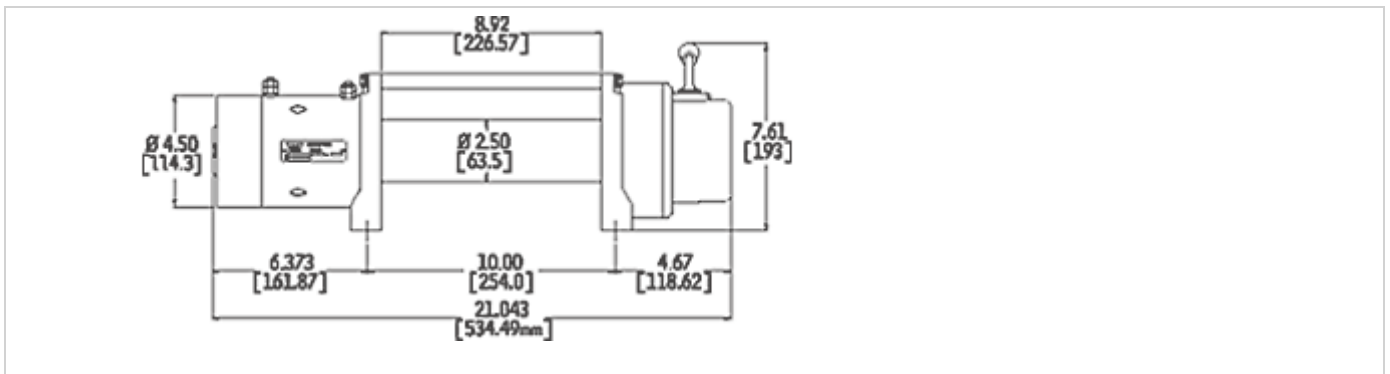
12V DC PERFORMANCE SPECS

| Line Pull Lbs.(Kgs.) | Line Speed FT./min(M/min.) | Motor Current | Pull by layer layer/Lbs(Kgs.) |
|-------------------------|-------------------------------|------------------|----------------------------------|
| 0 | 48.5(14.8) | 85 amps | 1/6000(2722) |
| 2000(910) | 23.7(7.22) | 175 amps | 2/5460(2477) |
| 4000(1810) | 12.9(3.93) | 360 amps | 3/5000(2268) |
| 6000(2720) | 10.0(3.05) | 465 amps | 4/4670(2118) |

24V DC PERFORMANCE SPECS

| Line Pull Lbs.(Kgs.) | Line Speed FT./min(M/min.) | Motor Current | Pull by layer layer/Lbs(Kgs.) |
|-------------------------|-------------------------------|------------------|----------------------------------|
| 0 | 37.1(11.31) | 46 amps | 1/6000(2722) |
| 2000(910) | 20.3(6.19) | 121 amps | 2/5460(2477) |
| 4000(1810) | 14.4(4.39) | 185 amps | 3/5000(2268) |
| 6000(2720) | 11.2(3.41) | 249 amps | 4/4670(2118) |

Above performance specs are based on first layer of drum



Winch Dimensions: 21.04" L. x 6.3" D. x 7.6" H
(534mm L. x 160m D. x 193mm H.)

Mounting Bolt Pattern: 10.0" x 4.5" (254mm x 114.3mm)