

ATV & Side X Side Winches: ProVantage 2500-s



ProVantage 2500-s

The ATV enthusiast's choice for smaller powersports vehicles

This winch comes standard with premium-grade components and 15m of 5mm synthetic rope. This rope has market-leading strength, is lightweight, and is easy to handle-perfect for those who push the limits on the trails. This top-of-the-line 1134 kg capacity winch, with all-metal end housings, has all the features you want and the durability and reliability you need.

- 15m x 5mm synthetic rope with double-powder-coated hawse fairlead
- Hook, tie rods, and body feature attractive, corrosion-resistant black finish
- Three-stage planetary gear train for smooth, efficient operation.
- Patented roller disc brake for outstanding control while winching
- Ergonomic clutch handle
- Fully sealed motor and drive train to keep the elements out
- Plow roller fairlead
- Mini rocker control switch
- Wireless remote
- CE Compliant

This winch comes standard with premium-grade components and 50' of 3/16" synthetic rope. This rope has market-leading strength, is lightweight, and is easy to handle-perfect for those who push the limits on the trails.

SPECS/PART NUMBERS

Winch model: WARN ProVantage 2500-S

Part numbers: 91026

Rated line pull: 2500 lbs. (1134 kg)

Motor: 12V Permanent Magnet

Sealing: Full

Geartrain: 3-Stage Planetary

Rope Material: Synthetic

Rope length & diameter: 50' x 3/16" (15m x 5mm)

Primary Control: Handlebar Mini-Rocker

Remote Control: Wireless

Best for plow lifting: Yes

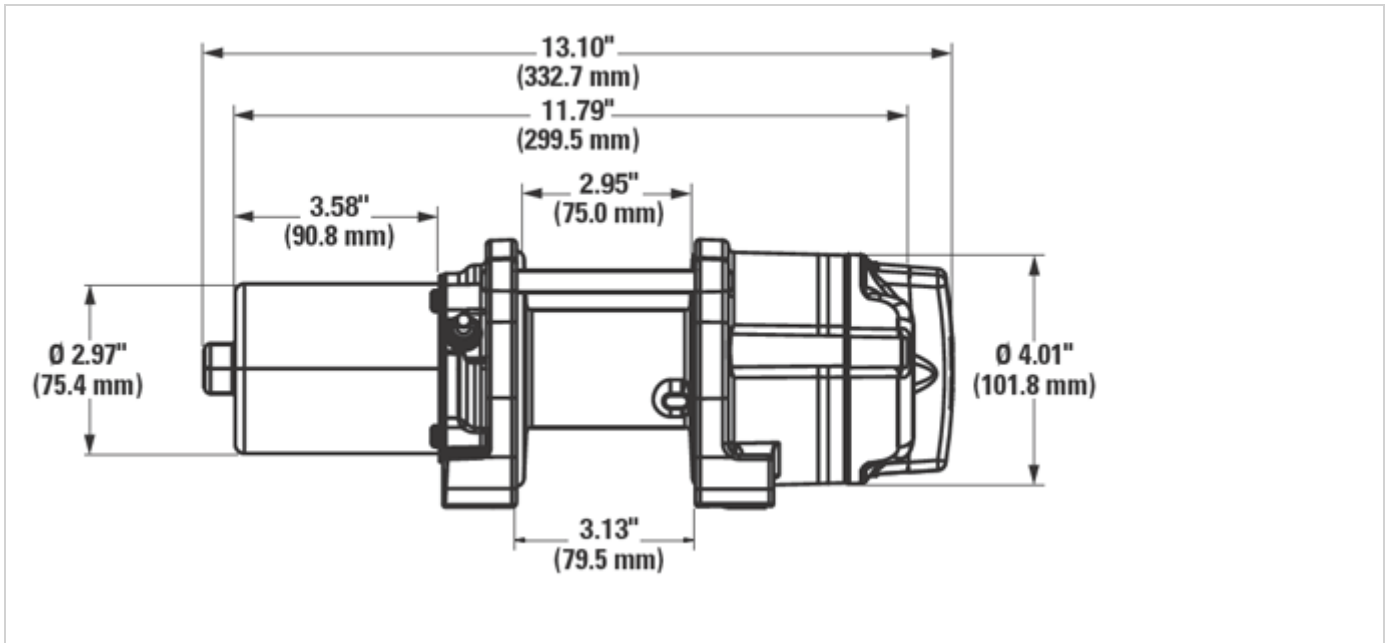
Brake: Patented Roller Disc

Certifications: CE Compliant

Mechanical Warranty: 3 Year

Electrical Warranty: 3 Year

PERFORMANCE DATA			PULL BY LAYER
Line Pull Lbs.(Kgs.)	Line Speed FT./min(M/min.)	Motor Current	Pull by layer layer/Lbs(Kgs.)
0	18.7 (5.7)	16.8	1/2500 (1134)
500 (227)	14.3 (4.4)	43.4	2/2125 (964)
1000 (454)	11.5 (3.5)	68.8	3/1806 (819)
1500 (680)	9.0 (2.7)	93.9	4/1535 (696)
2000 (907)	6.9 (2.1)	121.0	
2500 (1134)	5.4 (1.6)	152.4	



Winch Dimensions: 13.1" L. x 4.53" D. x 4.69" H. (333mm L. x 115mm D. x 119mm H.)

Mounting Bolt Pattern: 3.0" x 4.87" (76mm x 124mm)