

## ATV & Side X Side Winches: ProVantage 3500



### ProVantage 3500

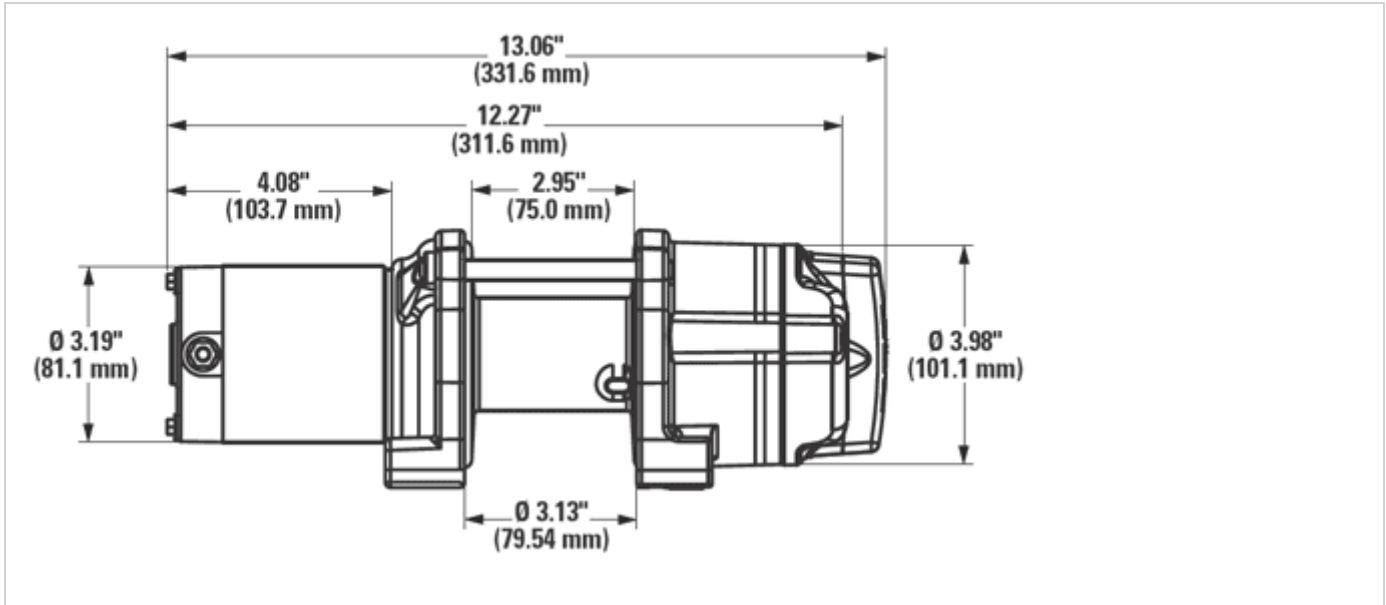
#### Extra winching power and premium components for larger powersports vehicles

With a 1588 kg capacity, this winch is perfect for larger ATVs and Side x Sides. It packs the reliability and extra grunt you need to get the big jobs done. And with the durability of an all-metal gear end housing and a powerful permanent magnet motor, this winch works and plays as hard as you do.

- 15m x 5mm wire rope and plow roller fairlead
- Hook, tie rods, and body feature attractive, corrosion-resistant black finish
- Three-stage planetary gear train for smooth, efficient operation.
- Patented roller disc brake for outstanding control while winching
- Ergonomic clutch handle
- Fully sealed motor and drive train to keep the elements out
- Plow roller fairlead
- Mini rocker control switch
- Wireless remote
- CE Compliant

**SPECS/PART NUMBERS****Winch model:** WARN ProVantage 3500**Part numbers:** 91035**Rated line pull:** 3500 lbs. (1588 kg)**Motor:** 12V Permanent Magnet**Sealing:** Full**Geartrain:** 3-Stage Planetary**Rope Material:** Wire**Rope length & diameter:** 50' x 3/16" (15m x 5mm)**Primary Control:** Handlebar Mini-Rocker**Remote Control:** Wireless**Best for plow lifting:** Yes**Brake:** Patented Roller Disc**Certifications:** CE Compliant**Mechanical Warranty:** 3 Year**Electrical Warranty:** 3 Year**PERFORMANCE DATA****PULL BY LAYER**

<b>Line Pull Lbs.(Kgs.)</b>	<b>Line Speed FT./min(M/min.)</b>	<b>Motor Current</b>	<b>Pull by layer layer/Lbs(Kgs.)</b>
0	21.1 (6.4)	21.6	1/3500 (1588)
500 (227)	17.2 (5.2)	51.8	2/2125 (1349)
1000 (454)	14.4 (4.4)	79.3	3/1806 (1147)
1500 (680)	12.1 (3.7)	107.3	4/1535 (975)
2000 (907)	9.9 (3.0)	137.9	
2500 (1134)	8.1 (2.5)	168.0	
3000 (1361)	6.8 (2.1)	194.4	
3500 (1588)	5.8 (1.8)	220.0	



**Winch Dimensions:** 13.1" L. x 4.53" D. x 4.69" H. (333mm L. x 115mm D. x 119mm H.)

**Mounting Bolt Pattern:** 3.0" x 4.87" (76mm x 124mm)