

ATV & Side X Side Winches: ProVantage 4500-s



ProVantage 4500-s

The most features, the most power, and synthetic rope-specifically for Side x Sides

When it comes to a winch for your Side x Side, you need extra pulling power, and this market-leading winch has it in spades. With a massive 4,500 lb. capacity, all-metal gear end housing, and a powerful permanent magnet motor, this winch has the extra power to pull your Side X Side or a heavy load with ease.

- 50' of 7/32" synthetic rope with double-powder-coated hawse fairlead
- Hook, tie rods, and body feature attractive, corrosion-resistant black finish
- Three-stage planetary gear train for smooth, efficient operation.
- Ergonomic clutch handle
- Patented roller disc brake for outstanding control
- Fully sealed motor and drive train to keep the elements out
- Includes illuminated dash-mounted control switch and corded remote
- All-metal gear housing and gears
- Warranty: Limited lifetime, 3 year electrical (North America)

This market leading winch is the ultimate recovery tool for Side x Sides.

SPECS/PART NUMBERS

Part Number: 90451

Rated Line Pull: 4500 lbs. (2041 kgs)

Motor: 12V DC, 1.9 hp (1.4 kW) Permanent Magnet

Controls: Remote and Dash Mounted Lighted Rocker Switch

Gear train: 3-Stage Planetary

Gear Ratio: 154:1

Clutch (Freespool): Sliding Pin and Ring Gear

Brake: Roller Disk

Drum diameter/length: 2.25"/4.7" (57mm/119mm)

Kit Shipping Weight: 28.5 lbs. (12.9 kgs)

Rope: Synthetic, 7/32" x 50' (5.5mm x 15.2m)

Fairlead: Aluminum Hawse

Recommended Battery: 14 AH minimum

Duty Cycle: Intermittent

Battery leads: 6 gauge

Finish: Black Powder Coat

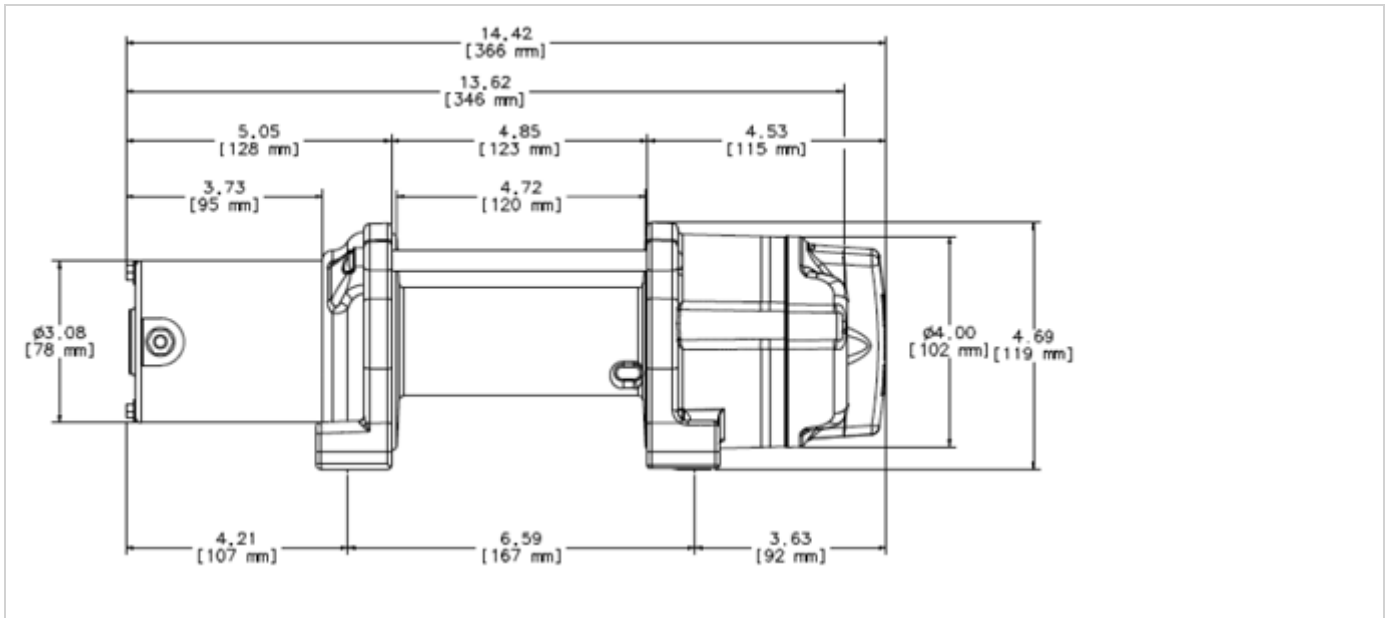
Mechanical Warranty: Limited Lifetime

Electrical Warranty: 3 year

Winch Weight: 15.6 lbs. (7.1kgs)

PERFORMANCE DATA			PULL BY LAYER
Line Pull Lbs.(Kgs.)	Line Speed FT./min(M/min.)	Motor Current	Pull by layer layer/Lbs(Kgs.)
0	23.6 (7.2)	19.1	1/4500 (2041)
500 (227)	18.5 (5.6)	54.9	2/3780 (1715)
1000 (454)	16.7 (5.1)	84.7	3/3175 (1440)
1500 (680)	13.7 (4.2)	113.7	4/2731 (1239)
2000 (907)	11.2 (3.4)	144.7	
2500 (1134)	8.4 (2.6)	175.0	

3000 (1361)	7.3 (2.2)	206.3
3500 (1588)	5.7 (1.7)	241.2
4000 (1814)	3.6 (1.1)	278.8
4500 (2041)	2.9 (0.9)	318.0



Winch Dimensions: 14.78" L. x 4.53" D. x 4.69" H. (375mm L. x 115mm D. x 119mm H.)

Mounting Bolt Pattern: 3.0" x 6.59" (76mm x 167mm)