

ATV & Side X Side Winches: ProVantage 4500



ProVantage 4500

Designed for the extra weight of a Side x Side, and made with premium parts

When it comes to a winch for your Side x Side, you need extra pulling power, and this market-leading winch has it in spades. With a massive 4,500 lb. capacity, all-metal gear end housing, and a powerful permanent magnet motor, this winch has the extra power to pull your Side X Side or a heavy load with ease.

- 55' of 7/32" wire rope (the longest in the lineup) and a plow roller fairlead
- Hook, tie rods, and body feature attractive, corrosion-resistant black finish
- Three-stage planetary gear train for smooth, efficient operation.
- Ergonomic clutch handle
- Patented roller disc brake for outstanding control
- Fully sealed motor and drive train to keep the elements out
- Includes illuminated dash-mounted control switch and corded remote
- All-metal gear housing and gears
- Warranty: Limited lifetime, 3 year electrical (North America)

SPECS/PART NUMBERS

Part Number: 90450

Rated Line Pull: 4500 lbs. (2041 kgs)

Motor: 12V DC, 1.9 hp (1.4 kW) Permanent Magnet

Controls: Remote and Dash Mounted Lighted Rocker Switch

Gear train: 3-Stage Planetary

Gear Ratio: 154:1

Clutch (Freespool): Sliding Pin and Ring Gear

Brake: Roller Disk

Drum diameter/length: 2.25"/4.7" (57mm/119mm)

Kit Shipping Weight: 33.5 lbs. (15.2 kgs)

Rope: Wire, 7/32" x 50' (5.5mm x 15.2m)

Fairlead: Hawse

Recommended Battery: 14 AH minimum

Duty Cycle: Intermittent

Battery leads: 6 gauge

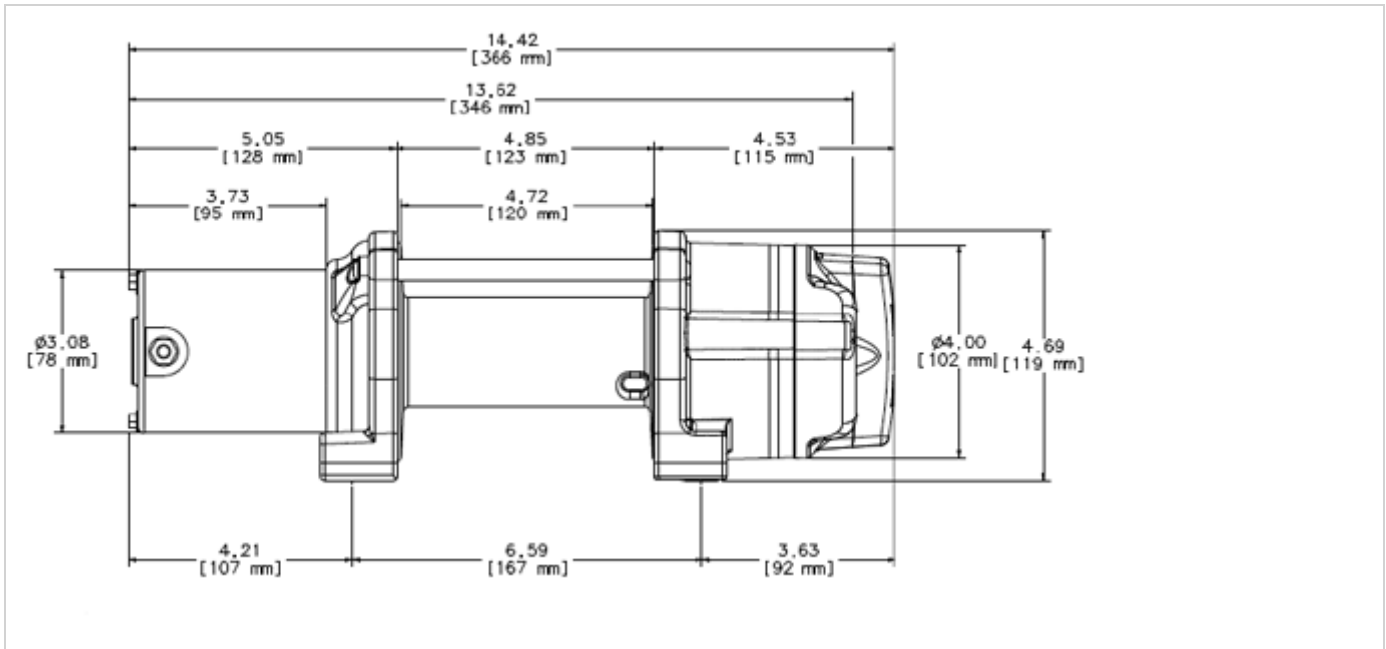
Finish: Black Powder Coat

Mechanical Warranty: Limited Lifetime

Electrical Warranty: 3 year

Winch Weight: 19.0 lbs. (8.6 kgs)

PERFORMANCE DATA			PULL BY LAYER
Line Pull Lbs.(Kgs.)	Line Speed FT./min(M/min.)	Motor Current	Pull by layer layer/Lbs(Kgs.)
0	23.6 (7.2)	19.1	1/4500 (2041)
500 (227)	18.5 (5.6)	54.9	2/3780 (1715)
1000 (454)	16.7 (5.1)	84.7	3/3175 (1440)
1500 (680)	13.7 (4.2)	113.7	4/2731 (1239)
2000 (907)	11.2 (3.4)	144.7	
2500 (1134)	8.4 (2.6)	175.0	
3000 (1361)	7.3 (2.2)	206.3	
3500 (1588)	5.7 (1.7)	241.2	
4000 (1814)	3.6 (1.1)	278.8	
4500 (2041)	2.9 (0.9)	318.0	



Winch Dimensions: 14.42" L. x 4.53" D. x 4.69" H. (375mm L. x 115mm D. x 119mm H.)

Mounting Bolt Pattern: 3.0" x 6.59" (76mm x 167mm)