

Jeep, Truck & SUV Winches: Tabor 10K



WARN Tabor 10K

Big on Power and Big on Value

For those looking for more pulling power without having to break the bank, there's the WARN Tabor 10K. With a 10,000 lb. capacity, this winch is ideal for heavier trucks, SUVs, and Jeeps. Big power, big torque, not-so-big price.

- Legendary WARN reliability and performance; 10,000 lb. (4536 kg) capacity
- Low-profile design will fit most trucks and SUVs
- Separate control pack for various mounting options
- Exclusive brake design for superior winching control
- Durable, smooth, and reliable three-stage planetary geartrain
- Series-wound motor for power and fast line speed
- Remote control with 12' (3.7m) lead
- 80' of 3/8" (24m of 9.5mm) diameter wire rope

TABOR 10K SPECS/PART NUMBERS

Winch model: Tabor 10K

Part number: PN 88395 (12V)

Rated line pull: 10,000 lbs., (4536 kgs.) single-line

Motor: 12V DC Series Wound

Electrical controls: Solenoid

Remote Control: Remote switch, 12' (3.7m) lead

Geartrain: 3-Stage Planetary

Gear ratio: 261:1

Clutch (freespooling): Sliding Ring Gear

Brake: Automatic Direct Drive Cone

Drum diameter/Length: 2.5"/9.0" (6.4cm/23cm)

Weight: 89 lbs. (40.4 kg)

Wire Rope: 80', 3/8" diameter (24m, 9.5mm diam.)

Fairlead: Roller

Recommended Battery: 650 CCA minimum for winching

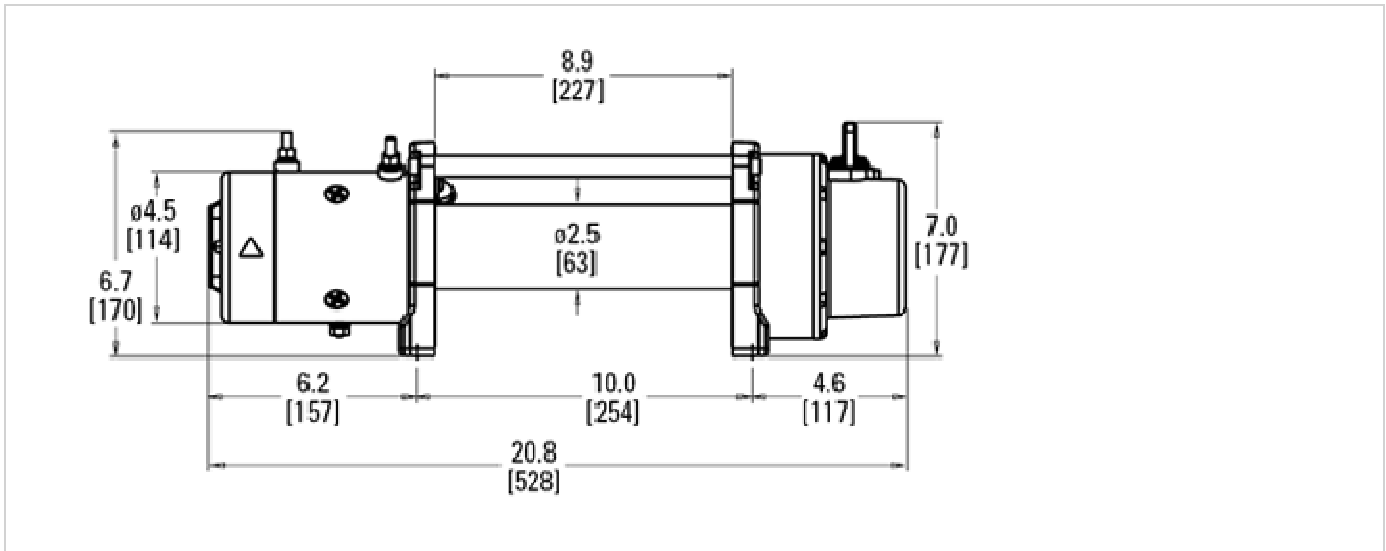
Battery leads: 2 gauge, 72" (1.83m)

Finish: Powder coat

12V DC performance specs (first layer of drum)

Line Pull Lbs.(Kgs.)	Line Speed FT./min(M/min.)	Motor Current	Pull by layer layer/Lbs(Kgs.)
0	25.9 (7.8)	66 amps	1/10000 (4536)
2000 (910)	13.0 (3.9)	160 amps	2/8000 (3629)
4000 (1810)	9.6 (2.9)	247 amps	3/7280 (3302)
6000 (2720)	7.1 (2.1)	332 amps	4/6670 (3026)
8000 (3630)	5.0 (1.5)	417 amps	5/6230 (2826)
10000 (4536)	2.3 (0.7)	502 amps	

Above performance specs are based on first layer of drum



Winch Dimensions: 20.8" L. x 6.3" D. x 6.97" H.

(528mm L. x 160mm D. x 177mm H.)

Mounting Bolt Pattern: 10.0" x 4.5" **(254mm x 114.3mm)**