

Jeep, Truck & SUV Winches: Tabor 8K



WARN Tabor 8K

Great for Lighter Trucks, Jeeps and SUVs

A full 8,000 lb. pulling capacity makes this winch great for lighter trucks, Jeeps, and SUVs. Quick line speed, durable construction, and WARN dependability ensure this winch will come through time and time again.

- Legendary WARN reliability and performance; 8,000 lb. (3630 kg) capacity
- Low-profile design will fit most trucks and SUVs
- Separate control pack for various mounting options
- Exclusive brake design for superior winching control
- Durable, smooth, and reliable three-stage planetary geartrain
- Series-wound motor for power and fast line speed
- Remote control with 12' (3.7m) lead
- 94' of 5/16" (28.6m of 8mm) diameter wire rope

TABOR 8K SPECS/PART NUMBERS

Winch model: Tabor 8K

Part number: PN 88390 (12V)

Rated line pull: 8,000 lbs., (3629 kg) single-line

Motor: 12V DC Series Wound

Electrical controls: Solenoid

Remote Control: Remote switch, 12' (3.7m) lead

Geartrain: 3-Stage Planetary

Gear ratio: 216:1

Clutch (freespooling): Sliding Ring Gear

Brake: Automatic Direct Drive Cone

Drum diameter/Length: 2.5"/9.0" (6.4cm/23cm)

Weight: 80 lbs. (36.3 kgs)

Wire Rope: 94', 5/16" diameter (28.6m, 8mm diam.)

Fairlead: Roller

Recommended Battery: 650 CCA minimum for winching

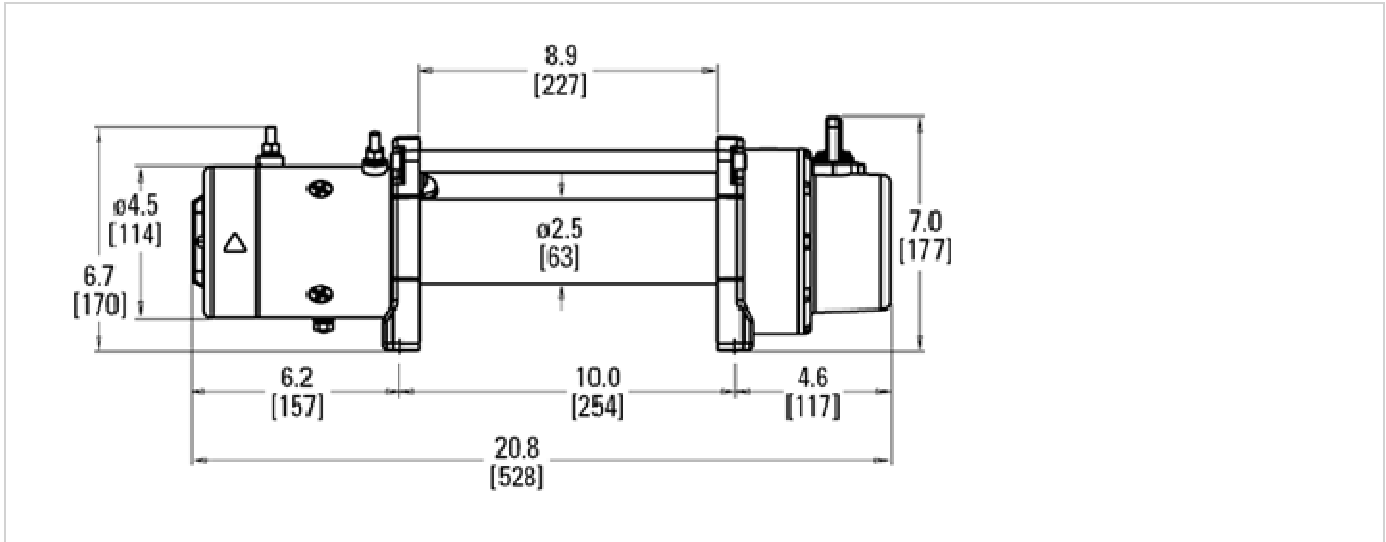
Battery leads: 25mm² wire, 72" (1.83m)

Finish: Powder coat

12V DC performance specs (first layer of drum)

Line Pull Lbs.(Kgs.)	Line Speed FT./min(M/min.)	Motor Current	Pull by layer layer/Lbs(Kgs.)
0	29 (8.8)	69.2 amps	1/8000 (3629)
2000 (910)	14.2 (4.3)	179.2 amps	2/7280 (3302)
4000 (1810)	9.9 (3)	281 amps	3/6670 (3026)
6000 (2720)	7.3 (2.2)	381 amps	4/6230 (2826)
8000 (3630)	4.8 (1.4)	457 amps	

Above performance specs are based on first layer of drum



Winch Dimensions: 20.8" L. x 6.3" D. x 6.97" H.

(528mm L. x 160mm D. x 177mm H.)

Mounting Bolt Pattern: 10.0" x 4.5" **(254mm x 114.3mm)**