

ATV & Side X Side Winches: Vantage 2000-s



Vantage 2000-s

Ideal for powersports enthusiasts with smaller ATVs

Ideal for enthusiasts with smaller ATVs, the Vantage 2000-S includes lightweight, easy-to-handle synthetic rope, best-in-class performance, and 907 kg of pulling capacity. You'll ride the trails with confidence knowing you can get out of a "stuck" situation. This winch is also great for plow lifting.

- 15m x 4mm synthetic rope with black powder-coated hawse fairlead
- Fully sealed motor and drive train to keep the elements out
- Differential planetary gear train, dynamic brake.
- High strength composite end housing
- Permanent magnet motor
- Includes handlebar-mounted mini rocker control
- CE Compliant

You'll ride the trails with confidence knowing you can get out of a "stuck" situation. This winch is also great for plow lifting.

SPECS/PART NUMBERS

Winch model: WARN Vantage 2000-S

Part numbers: 91021

Rated line pull: 2000 lbs. (907 kgs)

Motor: 12V Permanent Magnet

Sealing: Full

Geartrain: Differential Planetary

Rope Material: Synthetic

Rope length & diameter: 50' x 5/32" (15m x 4mm)

Primary Control: Handlebar Mini-Rocker

Remote Control: None

Best for plow lifting: Yes

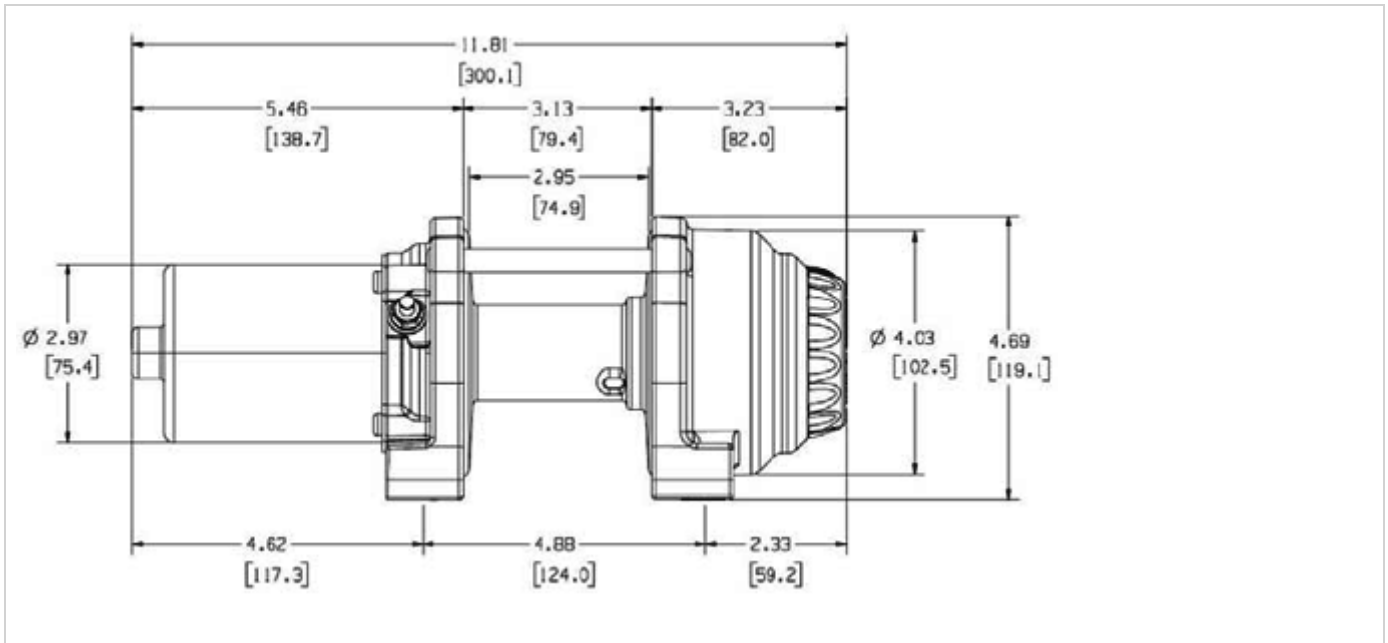
Brake: Dynamic, Self Locking Gear

Certifications: CE Compliant

Mechanical Warranty: 3 Year

Electrical Warranty: 3 Year

PERFORMANCE DATA			PULL BY LAYER
Line Pull Lbs.(Kgs.)	Line Speed FT./min(M/min.)	Motor Current	Pull by layer layer/Lbs(Kgs.)
0	14.0 (4.3)	20.3	1/2000 (907)
500 (227)	11.4 (3.5)	41.9	2/1700 (771)
1000 (454)	9.4 (2.9)	64.2	3/1445 (655)
1500 (680)	7.5 (2.3)	89.3	4/1228 (557)
2000 (907)	5.7 (1.7)	118.7	



Winch Dimensions: 11.81" L. x 4.53" D. x 4.69" H. (300mm L. x 115mm D. x 119mm H.)

Mounting Bolt Pattern: 3.0" x 4.87" (76mm x 124mm)