

## ATV & Side X Side Winches: Vantage 2000



### Vantage 2000

**Compact, powerful, and affordable—perfect for smaller powersports vehicles**

Great for smaller ATVs that work and play hard, this winch offers best-in-class durability, reliability, and performance. With 907 kg of pulling capacity and best-in-class performance, the Vantage 2000 offers big value in a small package.

- 15m x 4mm wire rope with roller fairlead
- Fully sealed motor and drive train to keep the elements out
- Differential planetary gear train, dynamic brake.
- High strength composite end housing
- Permanent magnet motor
- Includes handlebar-mounted mini rocker control
- CE Compliant

#### SPECS/PART NUMBERS

**Winch model:** WARN Vantage 2000

**Part numbers:** 91020

**Rated line pull:** 2000 lbs. (907 kgs)

**Motor:** 12V Permanent Magnet

**Sealing:** Full

**Geartrain:** Differential Planetary

**Rope Material:** Wire

**Rope length & diameter:** 50' x 5/32" (15m x 4mm)

**Primary Control:** Handlebar Mini-Rocker

**Remote Control:** None

**Best for plow lifting:** No

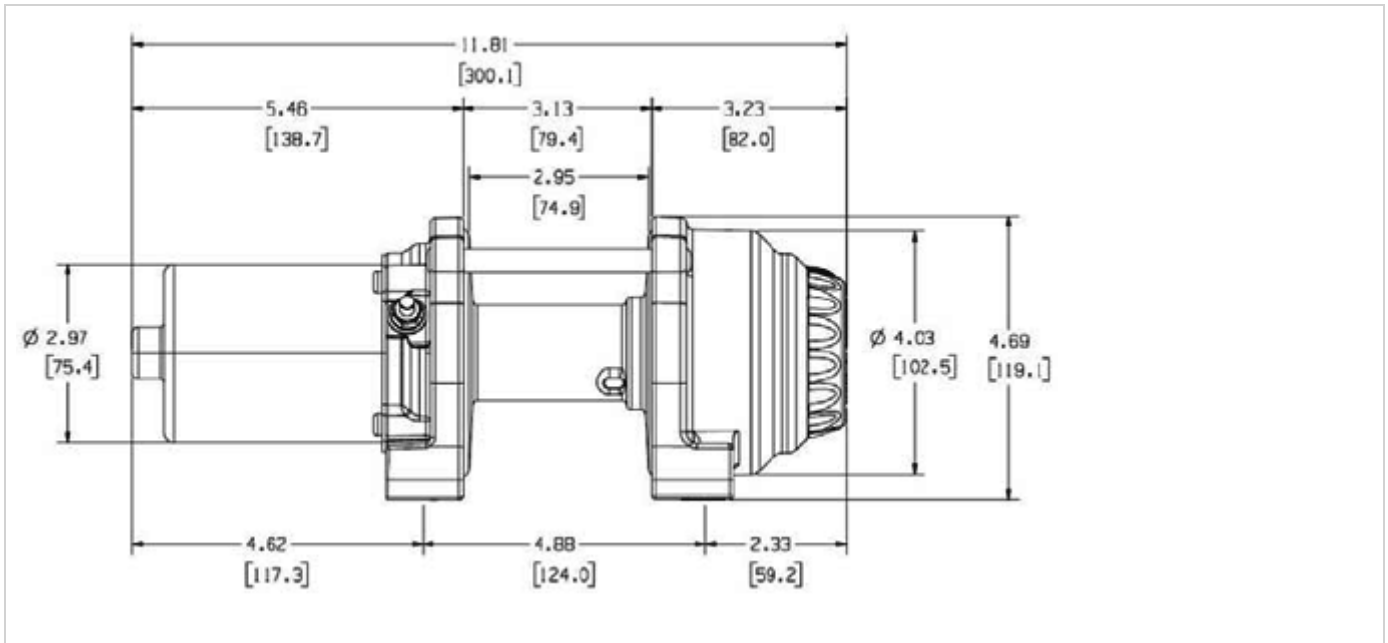
**Brake:** Dynamic, Self Locking Gear

**Certifications:** CE Compliant

**Mechanical Warranty:** 3 Year

**Electrical Warranty:** 3 Year

PERFORMANCE DATA			PULL BY LAYER
Line Pull Lbs.(Kgs.)	Line Speed FT./min(M/min.)	Motor Current	Pull by layer layer/Lbs(Kgs.)
0	14.0 (4.3)	20.3	1/2000 (907)
500 (227)	11.4 (3.5)	41.9	2/1700 (771)
1000 (454)	9.4 (2.9)	64.2	3/1445 (655)
1500 (680)	7.5 (2.3)	89.3	4/1228 (557)
2000 (907)	5.7 (1.7)	118.7	



**Winch Dimensions:** 11.81" L. x 4.53" D. x 4.69" H. (300mm L. x 115mm D. x 119mm H.)

**Mounting Bolt Pattern:** 3.0" x 4.87" (76mm x 124mm)