

ATV & Side X Side Winches: Vantage 3000



Vantage 3000

More pulling power for larger ATVs and Side x Sides

When you need big power at a premium value, the Vantage 3000 is an excellent choice for vehicle recovery or moving heavy loads. With great performance, a powerful motor, and 1361 kg of pulling capacity, this winch will get the job done without breaking the bank.

- 15m x 5mm wire rope with roller fairlead
- Fully sealed motor and drive train to keep the elements out
- Three-stage planetary gear train for smooth, efficient operation.
- High strength composite end housing
- Mechanical spring brake for control while winching
- Includes handlebar-mounted mini-rocker switch
- CE Compliant

SPECS/PART NUMBERS

Winch model: WARN Vantage 3000

Part numbers: 91030

Rated line pull: 3000 lbs. (1361 kg)

Motor: 12V Permanent Magnet

Sealing: Full

Geartrain: 3-Stage Planetary

Rope Material: Wire

Rope length & diameter: 50' x 3/16" 15m x 5mm)

Primary Control: Handlebar Mini-Rocker

Remote Control: None

Best for plow lifting: No

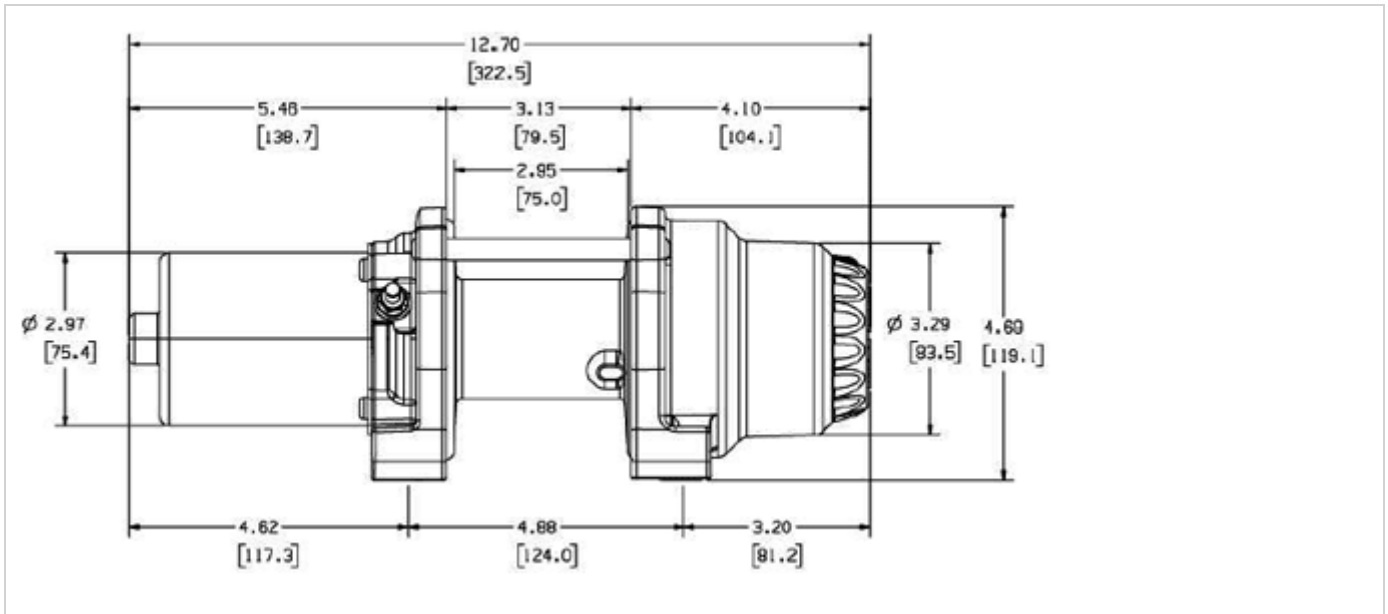
Brake: Mechanical Spring

Certifications: CE Compliant

Mechanical Warranty: 3 Year

Electrical Warranty: 3 Year

PERFORMANCE DATA			PULL BY LAYER
Line Pull Lbs.(Kgs.)	Line Speed FT./min(M/min.)	Motor Current	Pull by layer layer/Lbs(Kgs.)
0	15.7 (4.8)	23	1/3500 (1361)
500 (227)	12.8 (3.9)	41.9	2/2550 (1157)
1000 (454)	10.4 (3.2)	60.9	3/2168 (983)
1500 (680)	8.5 (2.6)	81.1	4/1842 (836)
2000 (907)	6.8 (2.1)	101.2	
2500 (1134)	5.5 (1.7)	120.8	
3000 (1361)	5 (1.5)	140.4	



Winch Dimensions: 12.7" L. x 4.53" D. x 4.69" H. **323mm L. x 115mm D. x 119mm H.**

Mounting Bolt Pattern: 3.0" x 4.88" (76mm x 124mm)