

ATV & Side X Side Winches: Vantage 4000-s



Vantage 4000-s

High pulling capacity and synthetic rope for Side x Side applications

This is the perfect winch for Side x Side owners who need reliable big pulling power. With a stout 4,000 lb. pulling capacity, 55' of wire rope, and best-in-class performance, the Vantage 4000-s will pull the biggest Side x Sides with confidence.

- 50' of 7/32" synthetic rope and black powder-coated hawse fairlead
- Fully sealed motor and drive train to keep the elements out
- Three-stage planetary gear train for smooth, efficient operation
- High-strength composite gear housing and all-metal gears
- Mechanical spring brake for control while winching
- Includes dash-mounted mini rocker switch and corded remote control
- Warranty: 5 year mechanical, 1 year electrical (North America)

This is the perfect winch for Side x Side owners who want a powerful 4,000 lb. capacity unit with lightweight, easy-to-handle synthetic rope.

SPECS/PART NUMBERS

Part Number: 89041

Rated Line Pull: 4000 lbs. (1814 kgs)

Motor: 12V DC, 1.4 hp (1.0 kW) Permanent Magnet, Sealed

Controls: Dash Mounted Rocker

Gear train: 3-Stage Planetary

Gear Ratio: 180:1

Clutch (Freespool): Cam Activated

Brake: Spring

Drum diameter/length: 2.25"/4.7" (52mm/74mm)

Kit Shipping Weight: 32.0 lbs. (14.5 kgs)

Rope: Synthetic, 7/32 x 50' (4.0mm x 15 m)

Fairlead: Aluminum Hawse

Recommended Battery: 14 Amp/hr minimum

Duty Cycle: Intermittent

Battery leads: 6 gauge

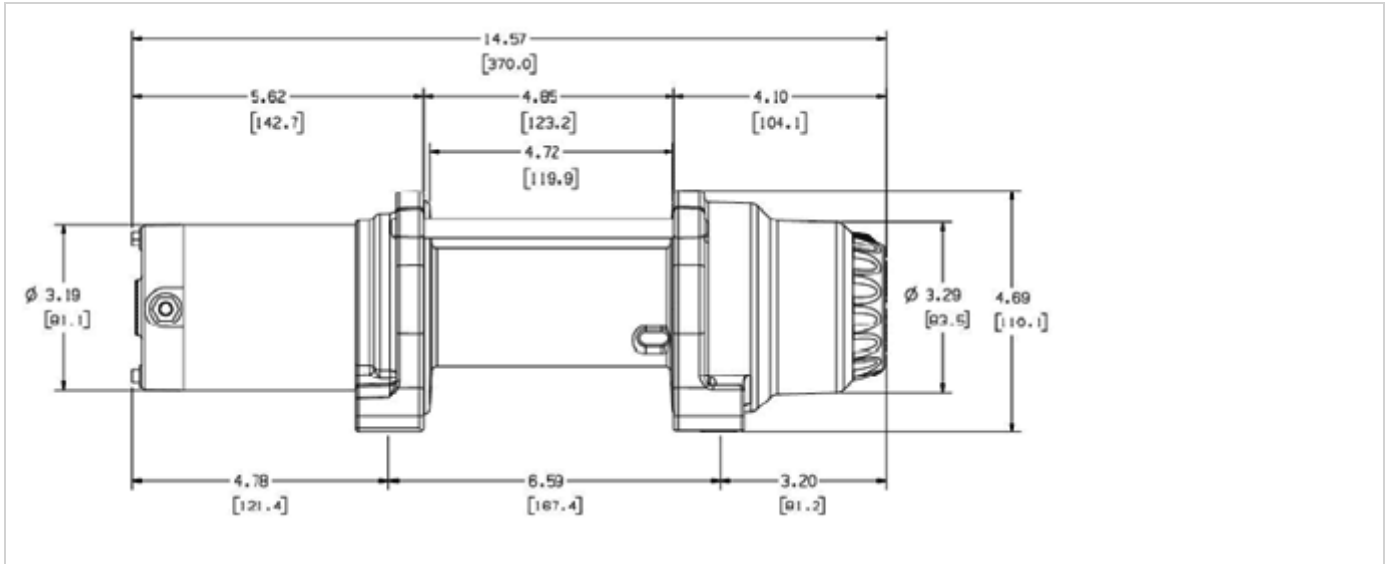
Finish: Grey Powder Coat

Winch Weight: 15.45 lbs. (7.0 kgs)

Mechanical Warranty: Limited Five Year

Electrical Warranty: 1 year

PERFORMANCE DATA			PULL BY LAYER
Line Pull Lbs.(Kgs.)	Line Speed FT./min(M/min.)	Motor Current	Pull by layer layer/Lbs(Kgs.)
0	18.6 (5.7)	21.6	1/4000 (1814)
500 (227)	15.8 (4.8)	40.7	2/3360 (1524)
1000 (454)	13.7 (4.2)	61.8	3/2822 (1280)
1500 (680)	11.6 (3.5)	84.2	4/2371 (1075)
2000 (907)	10.0 (3)	106.4	
2500 (1134)	8.7 (2.7)	129	
3000 (1361)	7.3 (2.2)	152.5	
3500 (1588)	6.2 (1.9)	176.8	
4000 (1814)	5.3 (1.6)	200.8	



Winch Dimensions: 14.57" L. x 4.53" D. x 4.69" H. (370mm L. x 115mm D. x 119mm H.)

Mounting Bolt Pattern: 3.0" x 6.59" (76mm x 167mm)