

## ATV & Side X Side Winches: Vantage 4000



### Vantage 4000

#### Big pulling power and long wire rope—specifically for Side x Sides

This is the perfect winch for Side x Side owners who need reliable big pulling power. With a stout 4,000 lb. pulling capacity, 55' of wire rope, and best-in-class performance, the Vantage 4000 will pull the biggest Side x Sides with confidence.

- 55' of 7/32" wire rope (the longest in the lineup) and a roller fairlead
- Fully sealed motor and drive train to keep the elements out
- Three-stage planetary gear train for smooth, efficient operation
- High-strength composite gear housing and all-metal gears
- Mechanical spring brake for control while winching
- Includes dash-mounted mini rocker switch and corded remote control
- Warranty: 5 year mechanical, 1 year electrical (North America)

#### SPECS/PART NUMBERS

**Part Number:** 89040

**Rated Line Pull:** 4000 lbs. (1814 kgs)

**Motor:** 12V DC, 1.4 hp (1.0 kW) Permanent Magnet, Sealed

**Controls:** Dash Mounted Rocker

**Gear train:** 3-Stage Planetary

**Gear Ratio:** 180:1

**Clutch (Freespool):** Cam Activated

**Brake:** Spring

**Drum diameter/length:** 2.25"/4.7" (52mm/74mm)

**Kit Shipping Weight:** 32.0 lbs. (14.5 kgs)

**Rope:** Wire, 7/32 x 50' (5.5 mm x 15 m)

**Fairlead:** Roller

**Recommended Battery:** 14 Amp/hr minimum

**Duty Cycle:** Intermittent

**Battery leads:** 6 gauge

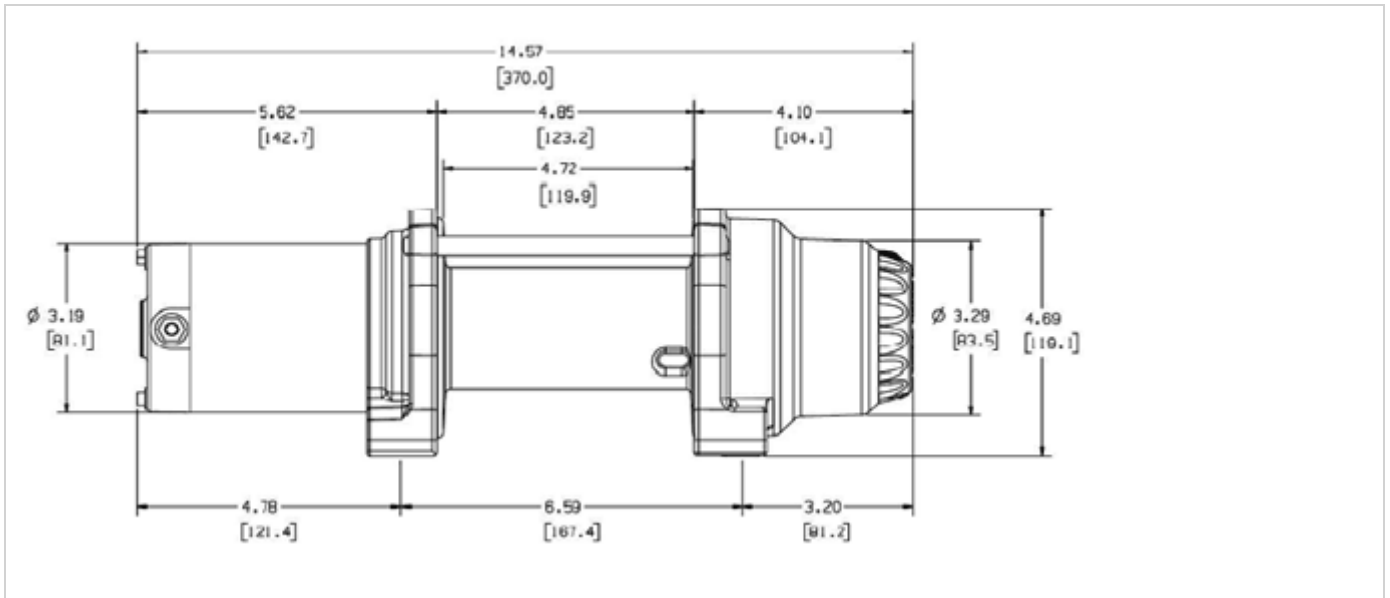
**Finish:** Grey Powder Coat

**Winch Weight:** 17.5 lbs. (8.0 kgs)

**Mechanical Warranty:** Limited Five Year

**Electrical Warranty:** 1 year

PERFORMANCE DATA			PULL BY LAYER
Line Pull Lbs.(Kgs.)	Line Speed FT./min(M/min.)	Motor Current	Pull by layer layer/Lbs(Kgs.)
0	18.6 (5.7)	21.6	1/4000 (1814)
500 (227)	15.8 (4.8)	40.7	2/3360 (1524)
1000 (454)	13.7 (4.2)	61.8	3/2822 (1280)
1500 (680)	11.6 (3.5)	84.2	4/2371 (1075)
2000 (907)	10.0 (3)	106.4	
2500 (1134)	8.7 (2.7)	129	
3000 (1361)	7.3 (2.2)	152.5	
3500 (1588)	6.2 (1.9)	176.8	
4000 (1814)	5.3 (1.6)	200.8	



**Winch Dimensions:** 14.57" L. x 4.53" D. x 4.69" H. (370mm L. x 115mm D. x 119mm H.)

**Mounting Bolt Pattern:** 3.0" x 6.59" (76mm x 167mm)