

Jeep, Truck & SUV Winches: XDC



WARN XDC-s

Fast, Powerful and Includes Synthetic Rope

The fast, powerful XDC winch is designed for the serious off-roader who demands a winch that will perform under the most extreme conditions in the world. It has a compact shape to fit a wide-variety of bumpers. A 9,500 lb. (4,310 kg.) capacity rating and an extreme duty cycle deliver long, efficient pulls. Additionally, the XDC features a thermometric protection device to ensure long motor life by suspending winch operation if the motor's temperature becomes elevated beyond its normal operating range.

- Series wound winch motor is strong and reliable
- Extreme-duty winch sealing. Enables superior water resistance
- Exclusive brake design. Provides superior operator control when winching
- Extended-duty control pack delivers long duty cycle to help you tackle the most demanding pulls
- 3-Stage planetary geartrain. Proven to be the most reliable efficient and durable design
- Remote-mount control box allows for various mounting options
- Includes both corded and wireless winch controls
- High gloss, chip-resistant powder coat finish. Provides superior corrosion resistance
- 100' (30m) of steel

XDC SPECS/PART NUMBERS

Winch model: XDC

Part Numbers: PN 74700

Motor: 12V Gen II, Series Wound

Electrical controls: Contactor

Remote controls: Remote switch with 12' (3.7m) lead, hand-held wireless

Geartrain: 3-stage planetary

Clutch (freespooling): Sliding ring gear

Brake: Automatic direct drive cone

Rope: Steel - 100', 5/16" diameter (30m, 8mm diam.)

Fairlead: PN 74700, roller fairlead

Recommended battery: 650 CCA minimum for winching

Battery leads: 2 gauge, 72" (1.83m)

Finish: Chromate with high-gloss dark-gray powder coat

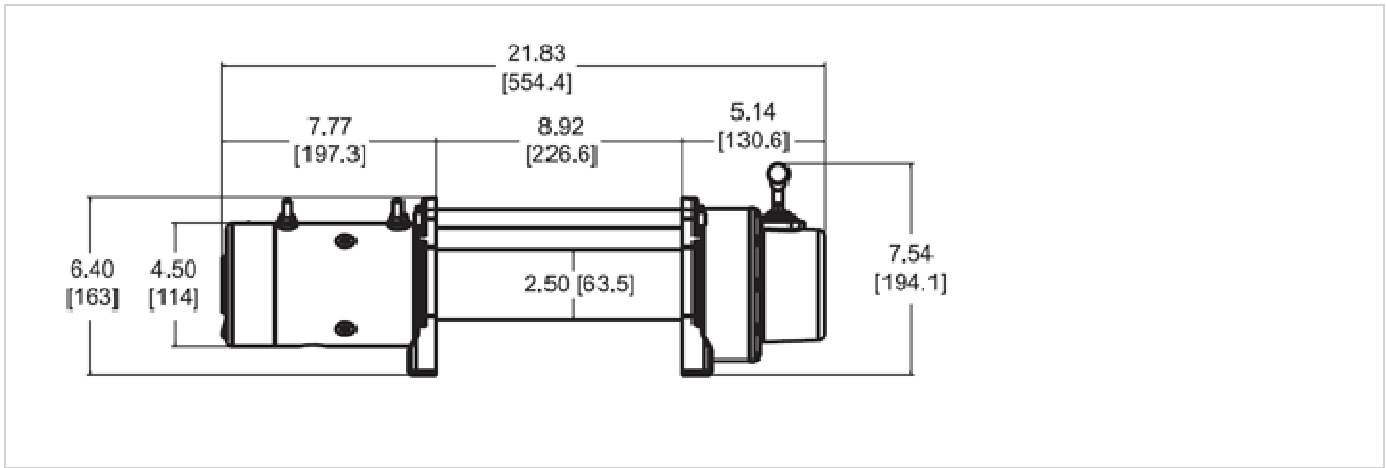
Drum diameter/Length: 2.5"/9.0" (6.4cm/23cm)

Weight: 87.0 lbs. (39.5 kgs.)

12V DC performance specs (first layer of drum)

Line Pull Lbs.(Kgs.)	Line Speed FT./min(M/min.)	Motor Current	Pull by layer layer/Lbs(Kgs.)
0	29 (8.8)	60 amps	1/9500 (4313)
2000 (910)	13.5 (4.1)	144 amps	2/8650 (4927)
4000 (1810)	10 (3.1)	197 amps	3/7920 (3595)
6000 (2720)	8 (2.4)	250 amps	4/7400 (3359)
8000 (3630)	6.5 (1.9)	315 amps	5/6940 (3150)
9500 (4310)	5.7 (1.7)	358 amps	

Above performance specs are based on first layer of drum



Winch Dimensions: 21.8" L. x 6.3" D. x 7.6" H.

(555mm L. x 160mm D. x 193mm H.)

Mounting Bolt Pattern: 10.0" x 4.5" **(254mm x 114.3mm)**